

# HEAT EXCHANGERS



## TECHNIC DATA

Radiating mass data

Material	Aluminium
Nominal Pressure	25 bar
Test Pressure	35 bar
Max. Temperature	120 C

Fluid Compatibility

Mineral oil, hl, hld, Water oil emosion.

SS20

14

02

A

-

P

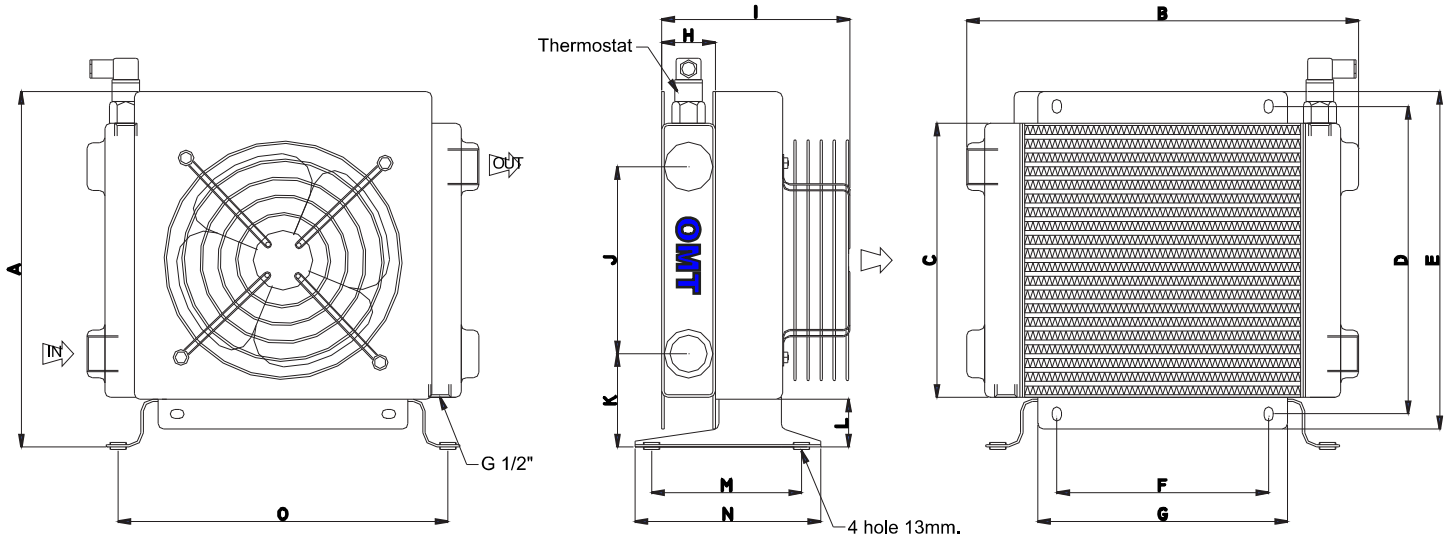
Type	
SS10	(35 LPM)
SS15	(80 LPM)
SS20	(90 LPM)
SS24	(130 LPM)
SS30	(130 LPM)
SS40	(140 LPM)
SS50	(190 LPM)
SS215 (2pass)	(40 LPM)
SS220 (2pass)	(60 LPM)
SS224 (2pass)	(70 LPM)
SS230 (2pass)	(80 LPM)
SS240 (2pass)	(90 LPM)
SD20	(180 LPM)
SD24	(260 LPM)
SD30	(260 LPM)
SD40	(280 LPM)

Bimetallic fixed temperature switches	
00	No switch
01	Fixed switch 36-26 °C
02	Fixed switch 43-33 °C
03	Fixed switch 52-42 °C
04	Fixed switch 65-55 °C
05	Fixed switch 75-65 °C
06	Fixed switch 85-75 °C
07	Fixed switch 95-85 °C
Adjustable switch	
08	Adjustable switch 0-90 °C

Foot flanges / Electric connection	
P	With foot flanges
E	With electric connection
PE	With foot flanges and with electric connection
P - PE applicable only for SS10; SS15; SS20; SS24; SS30; SS40; SS215; SS220; SS224; SS230; SS240.	
E applicable only for SS50; SD20; SD30; SD40.	
Fans	
A	Drawing

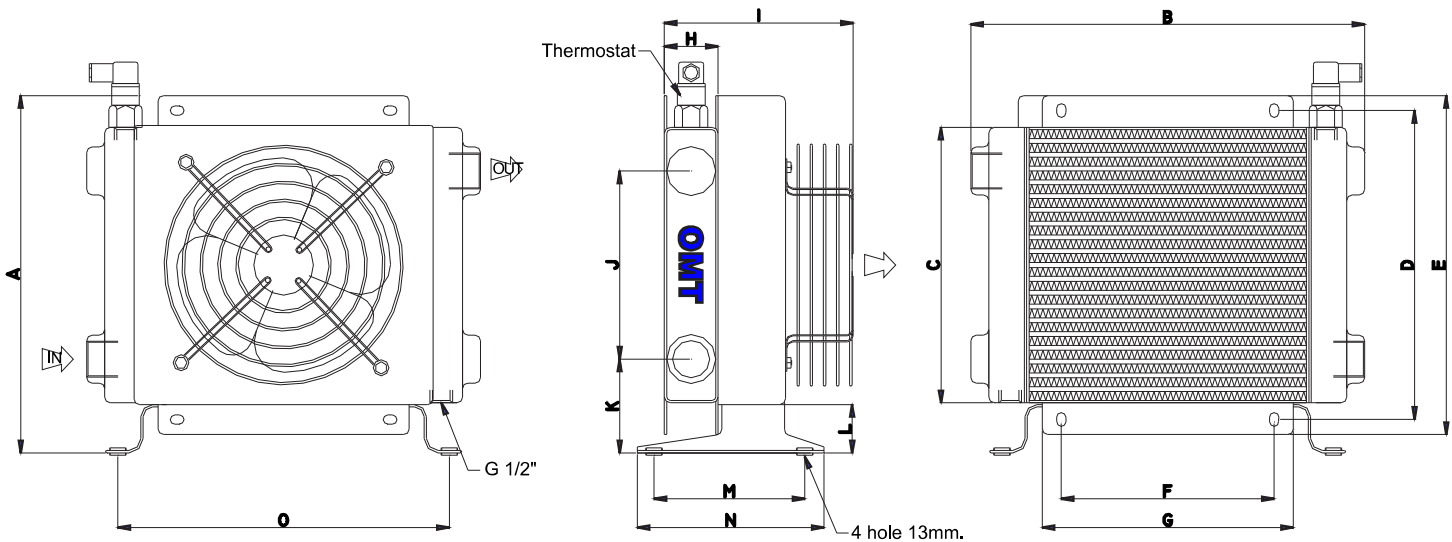
Fan Motor	
01	230V 50/60 Hz single phase
03	230/400V 50/60 Hz three phase
14	230/400V 50/60 Hz three phase B14
12	12V CC
24	24V CC
G2	Arranged for hydraulic motor GR.2

# DIMENSIONS FOR OMT



MODEL	A	B	C	D	E	F	G	H	I	J	K	L	M	N	O
SS15	282	318	233	258	283	178	210	45	225	157	83.5	42	126	156	275
SS20	282	318	233	258	283	178	210	63	225	157	83.5	42	126	156	275

\* Port IN = G 1" } SS15, SS20  
 Port OUT = G 1"

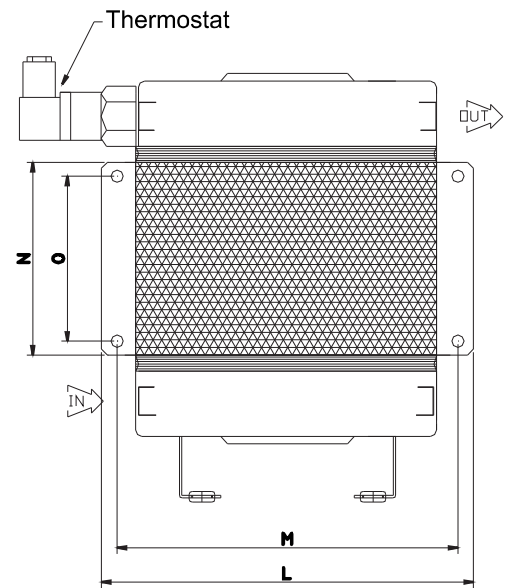
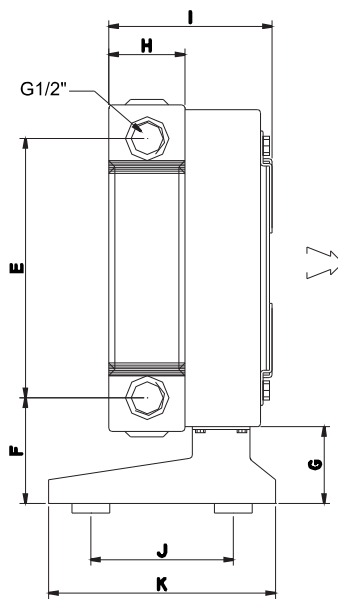
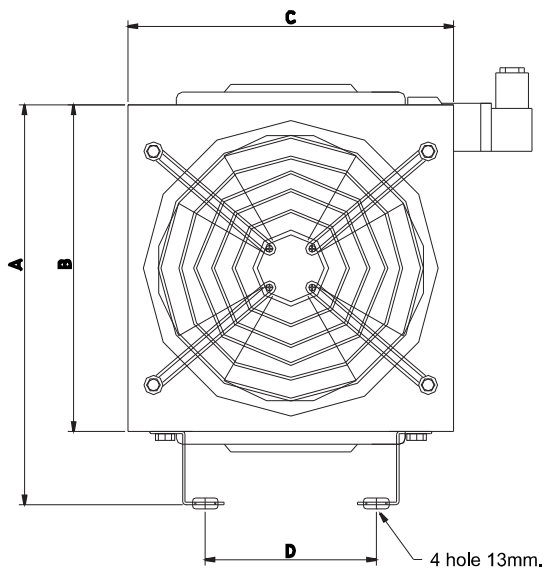


MODEL	A	B	C	D	E	F	G	H	I	J	K	L	M	N	O
SS24	361.5	378	291	316	341	238	270	63	176	217	82.5	42	126	156	325
SS30	417.5	438	349	374	399	308	340	63	219	279	78.5	42	126	156	390
SS40	532	538	464	489	514	398	430	63	229	387	81.5	42	126	156	485

\* Port IN = G 1" } SS24, SS30  
 Port OUT = G 1"

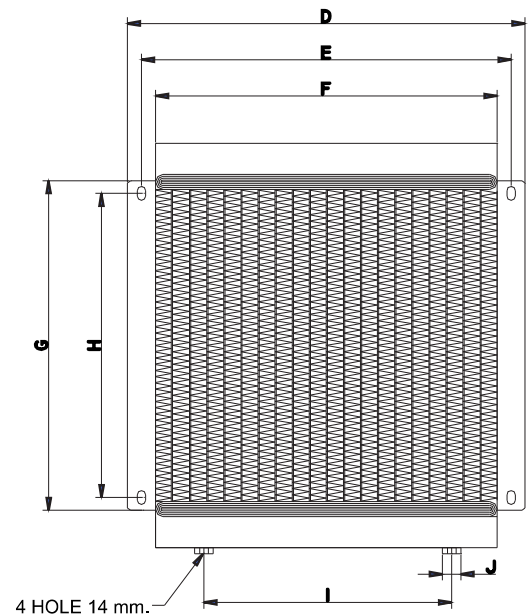
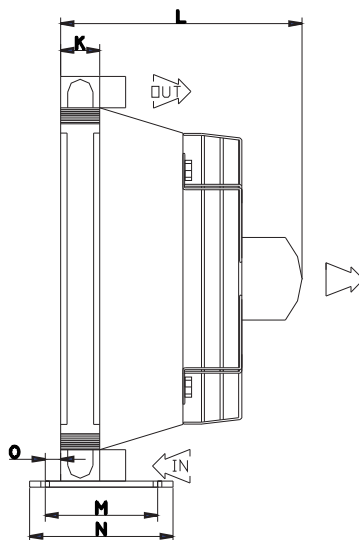
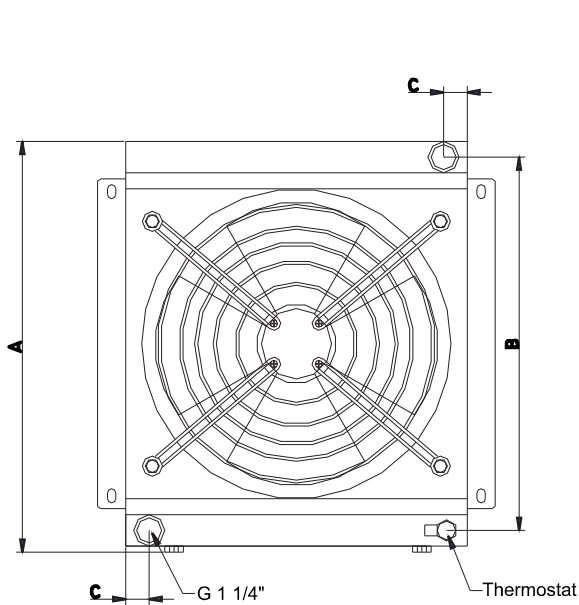
\* Port IN = G 1 1/4" } SS40  
 Port OUT = G 1 1/4"

# DIMENSIONS FOR OMT



MODEL	A	B	C	D	E	F	G	H	I	J	K	L	M	N	O
SS10	243	200	226	118	176	55	42	45	158	126	156	226	201	140	104

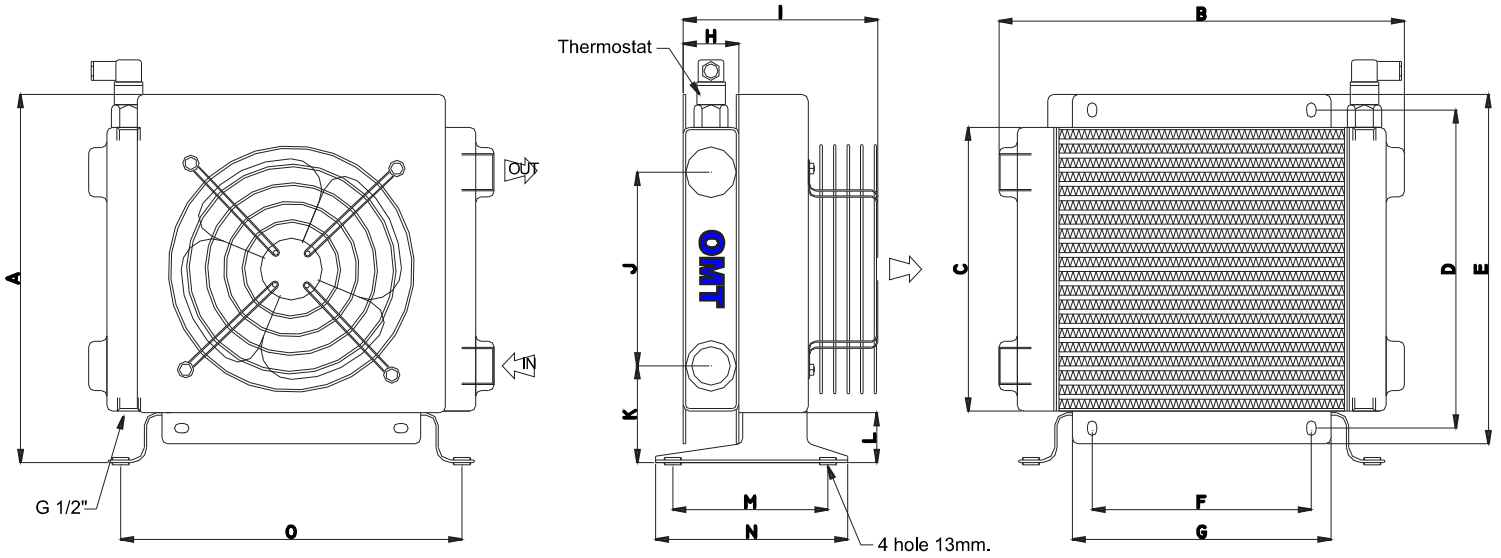
\* Port IN = G 1/2" } SS10  
 Port OUT = G 1/2"



MODEL	A	B	C	D	E	F	G	H	I	J	K	L	M	N	O
SS50	660	600	38	600	575	550	530	498	399	30	63	290	181	231	25

\* Port IN = G 1 1/4" } SS50  
 Port OUT = G 1 1/4"

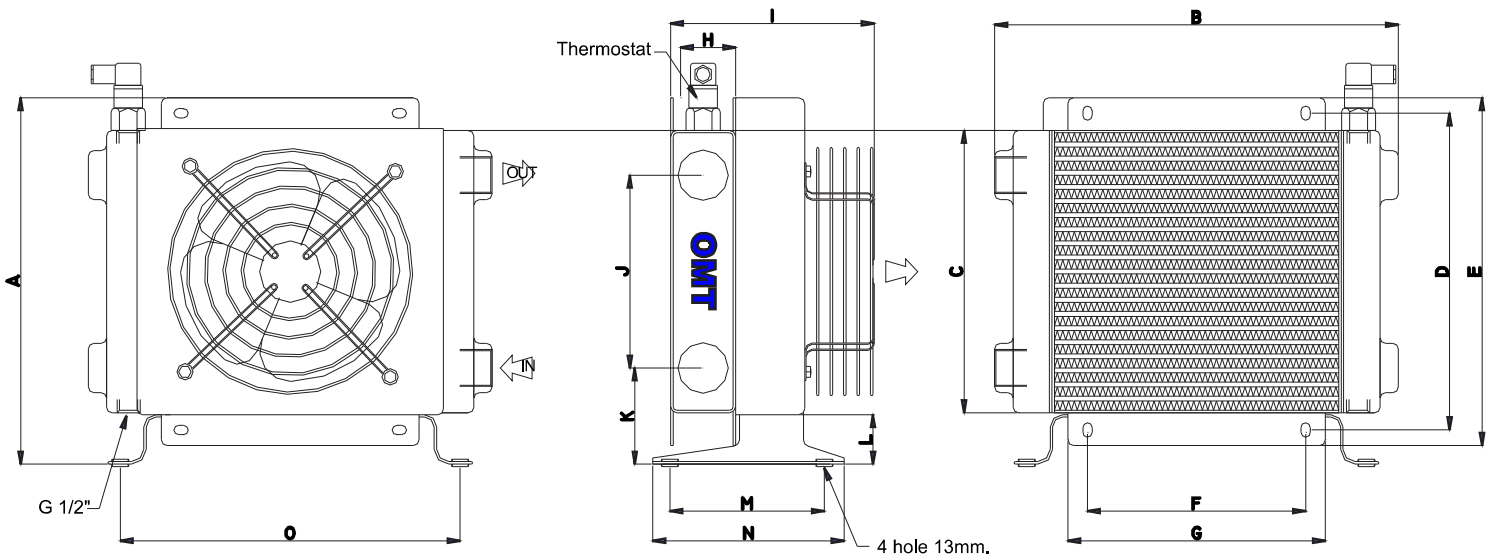
# DIMENSIONS FOR OMT



MODEL	A	B	C	D	E	F	G	H	I	J	K	L	M	N	O
SS215	282	318	233	258	283	178	210	45	225	157	83.5	42	126	156	275
SS220	282	318	233	258	283	178	210	63	225	157	83.5	42	126	156	275

\* Port IN = G 1/2" } SS215  
 Port OUT = G 1/2" }

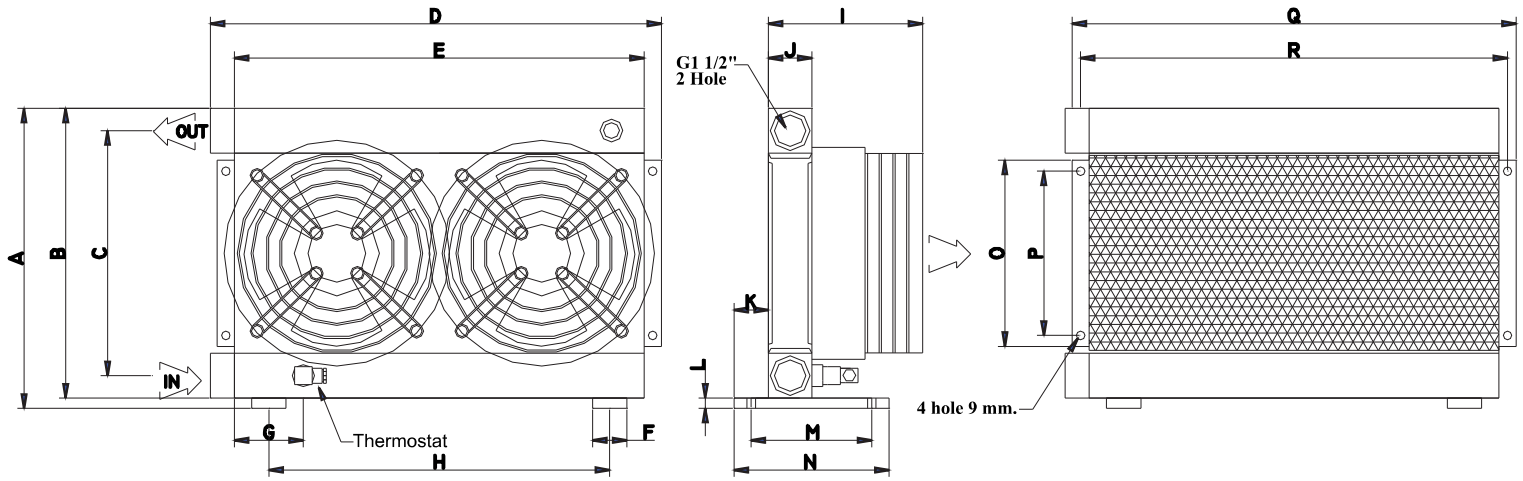
\* Port IN = G 3/4" } SS220  
 Port OUT = G 3/4" }



MODEL	A	B	C	D	E	F	G	H	I	J	K	L	M	N	O
SS224	361.5	378	291	316	341	238	270	63	176	217	82.5	42	126	156	325
SS230	417.5	438	349	374	399	308	340	63	219	279	78.5	42	126	156	390
SS240	532	538	464	489	514	398	430	63	229	387	81.5	42	126	156	485

\* Port IN = G 1" } SS224, SS230, SS240  
 Port OUT = G 1" }

# DIMENSIONS FOR OMT



MODEL	A	B	C	D	E	F	G	H	I	J	K	L	M	N	O	P	Q	R
SD20	365	350	295	525.5	480.5	50	100	400	176	63	50	15	175	225	215	180	520.5	500.5
SD24	435	420	385	655	595	50	100	545	280	63	50	15	175	225	270	238	645	620
SD30	495	480	418	785	725	50	100	650	305	63	50	15	250	300	340	302	775	750
SD40	595	580	518	968	908	50	100	840	400	63	50	15	250	300	430	398	958	933

\* Port IN = G 1 1/2" } SD20, SD24, SD30, SD40  
 Port OUT = G 1 1/2"