

FM 系列齿轮分流器

FM SERIES ROTARY GEAR FLOW DIVIDERS



简介 General Description

FM 系列分流器能为车辆、农业、材料处理和设备制造行业提供稳定可靠的同步解决方案，作为一种马达它有如下功能：

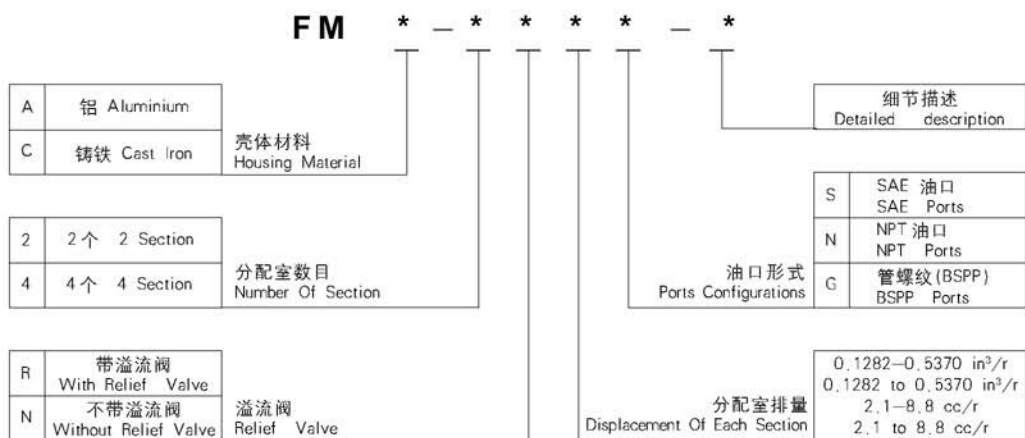
- 并联油缸或液压马达的同步操作
- 在单泵供油的场合，可一定比例向多个油路分配流量
- 当压力需高于泵的工作压力时可以进一步提高压力值

FM series flow dividers provide efficient, reliable service for a wide variety of applications in agricultural, materials handling as well as in construction equipment, having the following functions from a single pump source:

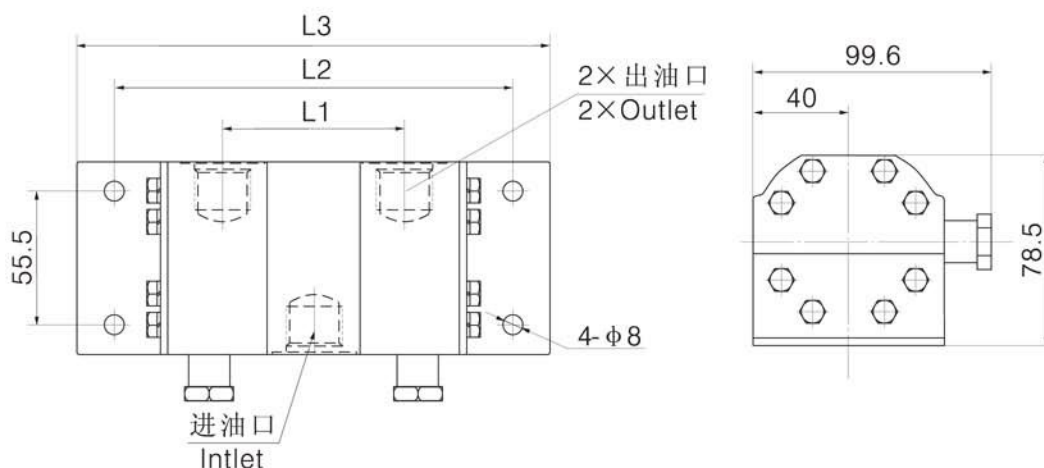
- synchronized operation of multiple cylinders or hydraulic motors.
- proportional division of pump output among several circuits.
- intensified pressure when pressure higher than pump capacity is needed.



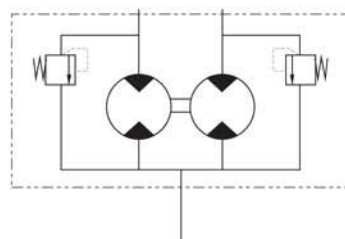
型谱 Order Code

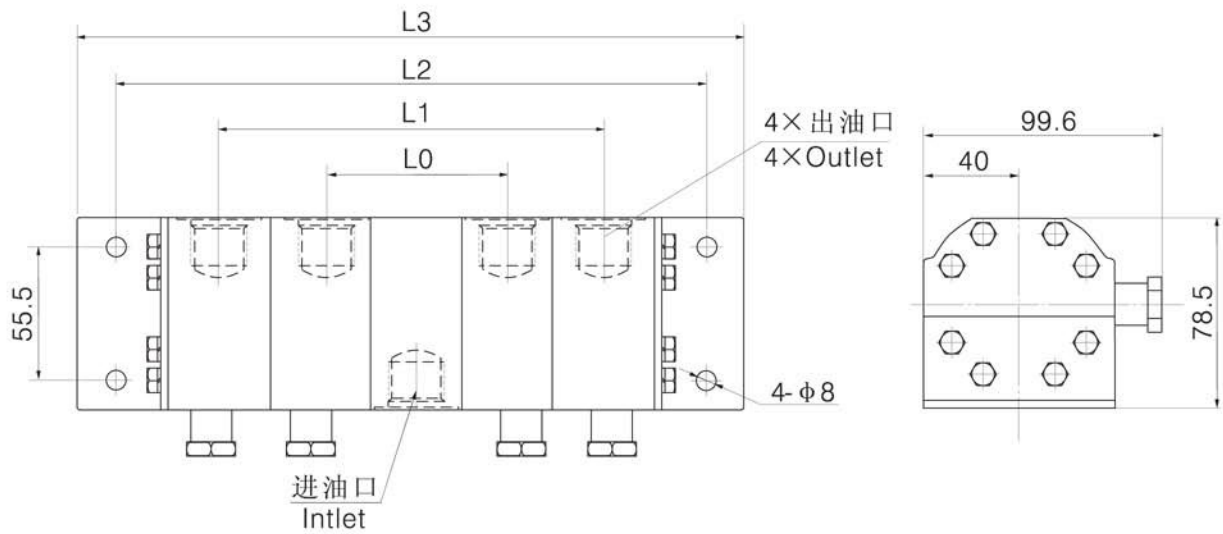


外形尺寸图 Outline Dimension

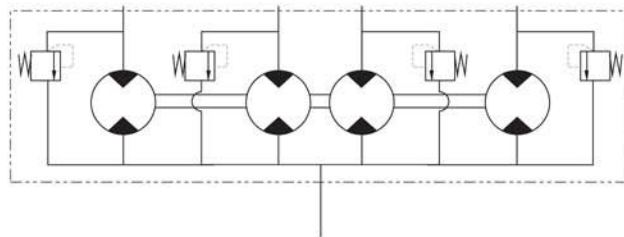


液压原理图
Hydraulic Schematic





液压原理图
Hydraulic Schematic



技术参数 Technical Data

Model 型号	Displacement 排量	Minimum inlet flow 最小进口流量 750rpm	Standard inlet flow 标准进口流量 1500rpm	Maximum inlet flow 最大进口流量 3000rpm	Maximum outlet pressure 出口最大压力	Ports 油口		尺寸 Dimension(mm)				
	mL/r	L/M	L/M	L/M	MPa	进口 inlet	出口 outlet	L0	L1	L2	L3	
FM*-2*2.1*-*	2.17	3.26	6.51	13.02	25	3/4-16UNF G1/2 NPT1/2	3/4-16UNF G1/2 NPT1/2	72.5	151.4	183		
FM*-2*3*-*	3.18	4.77	9.54	19.08			9/16-18UNF G3/8 NPT3/8	76	158.4	190		
FM*-2*4.2*-*	4.34	6.51	13.02	26.04			7/8-14UNF G5/8 NPT1/2	76	166	198		
FM*-2*5*-*	4.89	7.34	14.67	29.34		7/8-14UNF G5/8 NPT1/2	79.8	170.2	201.8			
FM*-2*6.3*-*	6.37	9.56	19.11	38.22			90	180	212			
FM*-2*8.8*-*	8.82	13.23	26.46	52.92			107	197.4	229			
FM*-4*2.1*-*	2.17	6.51	13.02	26.04	21	3/4-16UNF G1/2 NPT1/2	3/4-16UNF G1/2 NPT1/2	72.5	159.5	238.8	270	
FM*-4*3*-*	3.18	9.54	19.08	38.16			9/16-18UNF G3/8 NPT3/8	76	170	252.4	284	
FM*-4*4.2*-*	4.34	13.02	26.04	52.08			76	178	268.4	300		
FM*-4*5*-*	4.89	14.67	29.34	58.68		7/8-14UNF G5/8 NPT1/2	3/4-16UNF G1/2 NPT3/8	79.8	185.6	276	307.6	
FM*-4*6.3*-*	6.37	19.11	38.22	76.44			90	206	296.4	328		
FM*-4*8.8*-*	8.82	26.46	52.92	105.84			7/8-14UNF G5/8 NPT1/2	107	240	330.4	362	