

HEAT EXCHANGERS



Model	Thread (PT)	Oil Flow (L/Min)	Capacity (Kcal/h)	Working Pressure (Bar)	Hydraulic System (HP)	Diagram (WxHxD) (m/m)	Weight (Kg)
AH0608LT-CA	3/4"	60	3000	20	3-5	405 x 200 x 115	6
AH1012-CA	1"	100	6000	20	5-7.5	410 x 370 x 200	10
AH1417-A	1"	100	10000	20	7.5-10	556 x 411 x 200	10.5
AH1418-CA	1"	100	10000	20	7.5-10	556 x 411 x 200	10.5
AH1470-CA	1 1/4"	200	18000	20	15-20	520 x 475 x 320	25
AH1490-CA	1 1/2"	300	24000	20	20-25	520 x 640 x 300	30

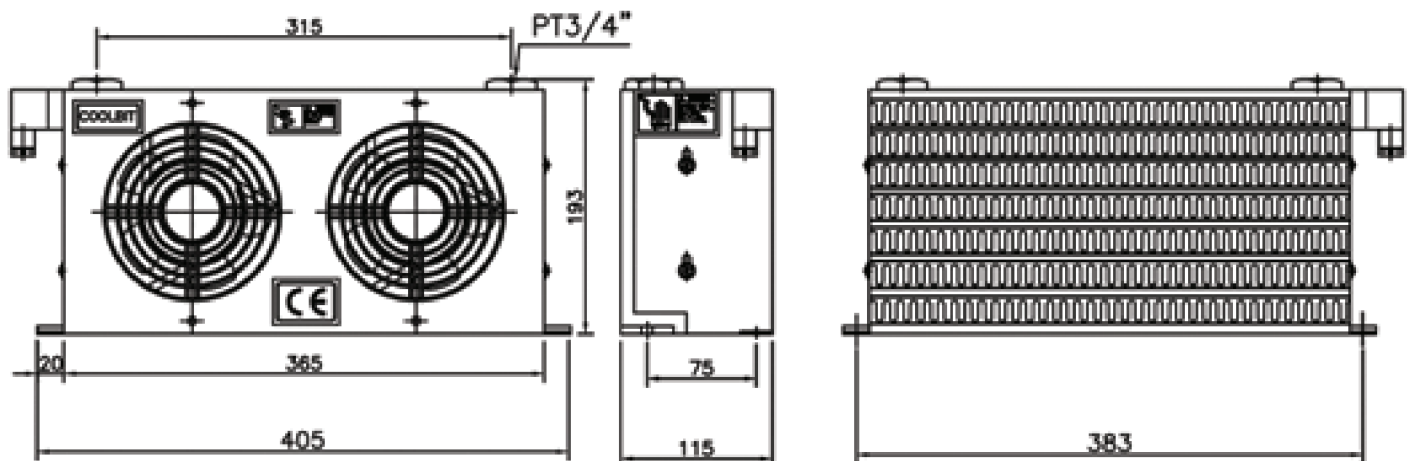
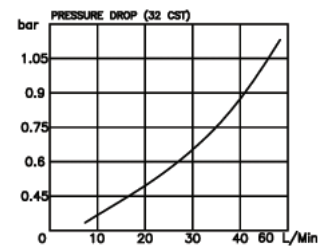
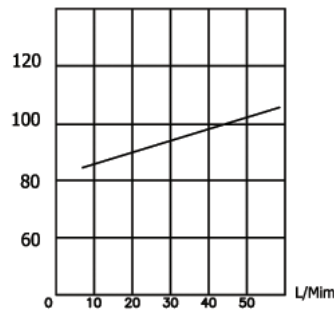
AH Heat exchangers are normally used for the cooling of the oil hydraulic systems and are installed on the return line of the system.

DIMENSIONS

AH0608T-CA*



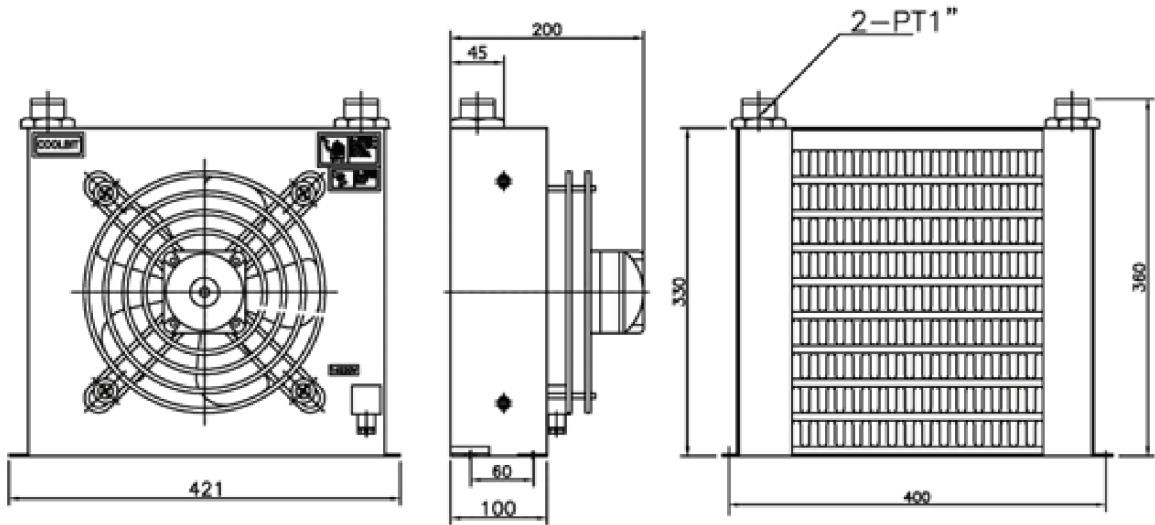
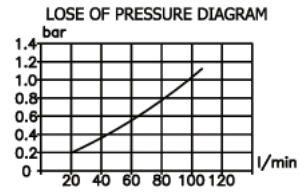
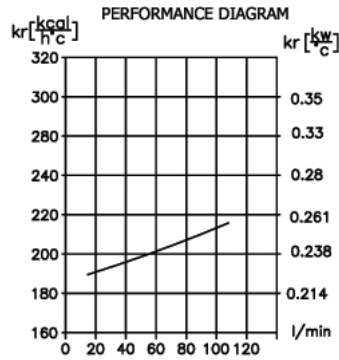
$\frac{Kcal}{hr \cdot ^\circ C}$ PERFORMANCE DIAGRAM



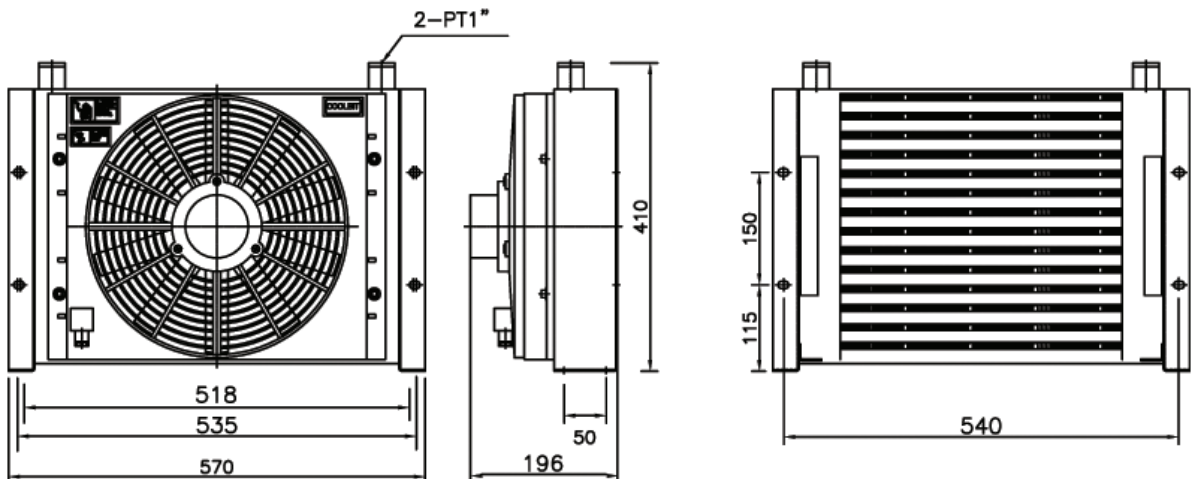
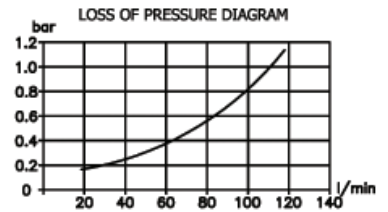
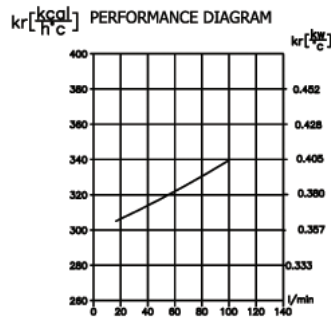
DIMENSIONS



AH1012-CA*



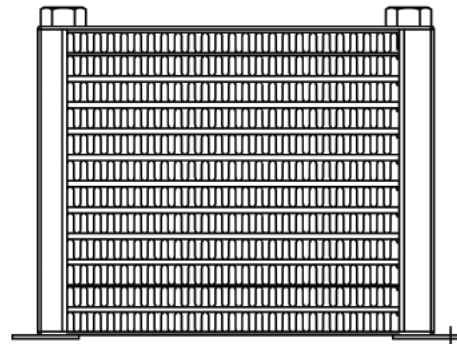
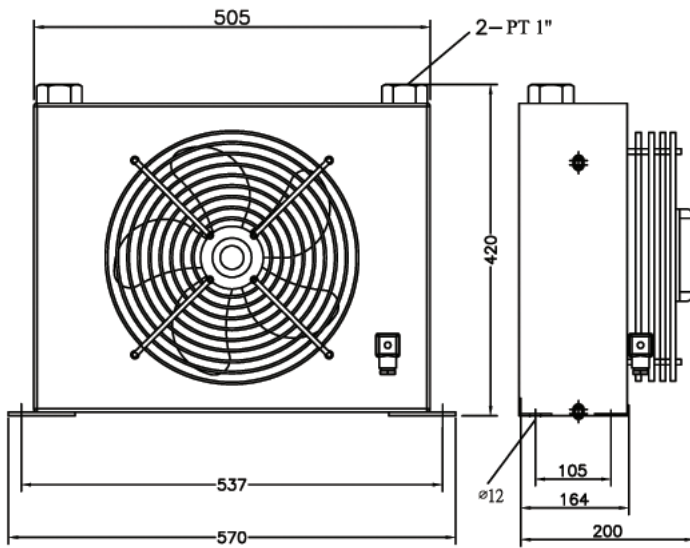
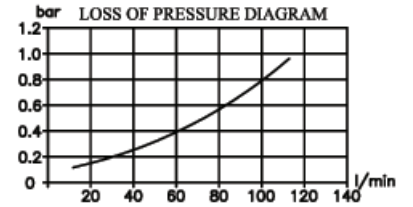
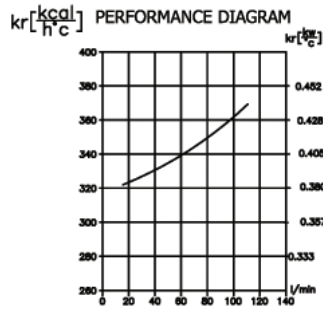
AH1417-CA*



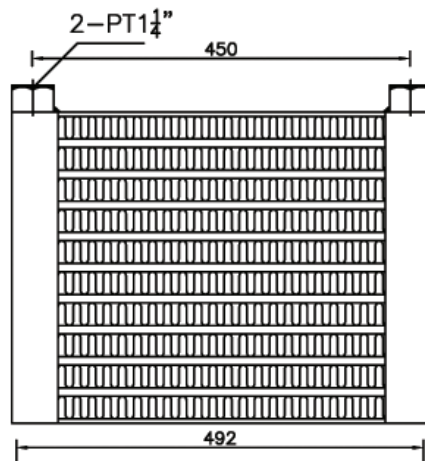
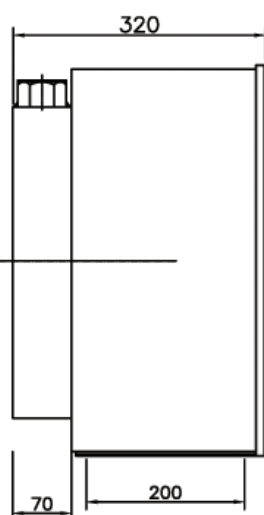
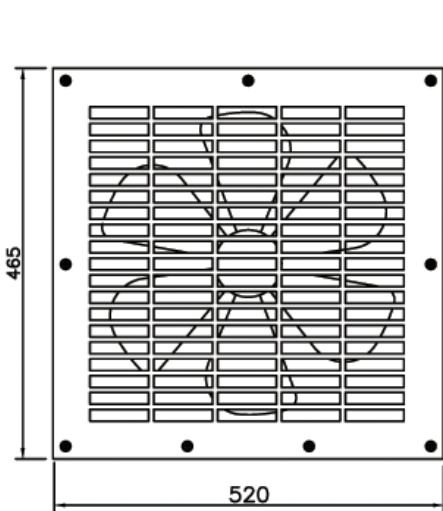
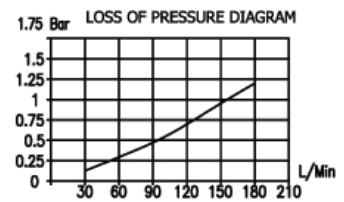
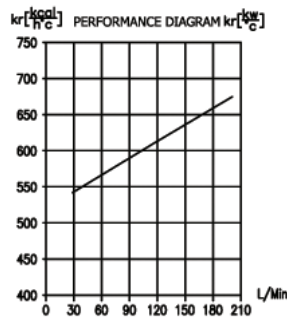
DIMENSIONS



AH1418-CA*



AH1470-CA*



DIMENSIONS



AH1490-CA*

