



**Australia:**

Stauff Corporation (Pty.) Ltd.  
P.O. Box 227  
24-26 Doyle Avenue, Unanderra  
Wollongong, N.S.W.  
AUS-2526 Unanderra  
Tel.: + 61 2 42 71 18 77  
Fax: + 61 2 42 71 84 32

**Brazil:**

Stauff Brasil Ltda.  
Avenida Gupe 10.767  
Galpão 2, Bloco A  
WT - Empresarial Parque Castelo Branco  
BRA-Barueri - SP  
CEP: 06422-120  
Tel: +55 11 47899020  
Fax: +55 11 47899021

**China:**

Stauff International Trading (Shanghai) Co., Ltd.  
Shangdian Mansion, Pudong  
331, Binzhou Road  
CHN-200126 Shanghai  
Tel.: + 86 21 58 45 65 60  
Fax: + 86 21 58 45 66 80

**France:**

Stauff s.a.  
230, Avenue du Grain d'Or  
Z.I. de Vineuil-Blois Sud  
F-41354 Vineuil-cedex  
Tel.: + 33 2 54 50 55 50  
Fax: + 33 2 54 42 29 19

**India:**

Stauff India Pvt. Ltd.  
Gat. No. 2340  
Pune-Nagar Road, Wagholi  
IND-Pune - 412207  
Tel.: + 91 20 705 19 90  
Fax: + 91 20 705 19 89

**Italy:**

Stauff Italia s.r.l.  
Via Pola 21/23  
I-20034 Birone di Giussano  
Tel.: + 39 0362 31 21 13  
Fax: + 39 0362 33 55 36

**Japan:**

Ohtsuka Tec. Co. Ltd.  
1-7-19 Minami Shinagawa  
Shinagawa-Ku  
JPN-Tokyo 140  
Tel.: + 81 3 34 72 12 01  
Fax: + 81 3 34 72 12 09

**Canada:**

Stauff Canada Ltd.  
866 Milner Avenue  
CAN-Scarborough, Ontario M1B 5N7  
Tel.: + 1 416 282 46 08  
Fax: + 1 416 282 30 39

**USA:**

Stauff Corporation  
7 Wm. Demarest Place  
USA-Waldwick, N.J. - 07463  
Tel.: + 1 201 444 78 00  
Fax: + 1 201 444 78 52

**United Kingdom:**

Stauff UK  
332, Coleford Road  
Darnall  
GBR-Sheffield, S 9 5 P H  
Tel.: + 44 1142 518 518  
Fax: + 44 1142 518 519

**Walter Stauffenberg GmbH & Co. KG**

P.O. Box 1745 · D-58777 Werdohl  
Im Ehrenfeld 4 · D-58791 Werdohl  
Tel.: + 49 (0) 2392 916-0  
Fax: + 49 (0) 2392 2505  
e-mail: sales@stauff.com  
Internet: <http://www.stauff.com>

- **Comprehensive choice**
- **Immediate delivery**
- **High quality standard**

The STAUFF hydraulic accessories programme has been carefully designed to offer a range of components suited to the demands of building hydraulic systems in most industrial and mobile applications.

Whether you require simple filler breathers or precise electrical level switches, flow control valves or complete filter units; the STAUFF accessories range should provide you with the choice you need.

At Stauff we are aware of the ongoing development and innovation within the hydraulic industry. We strive to keep up with and further develop the latest technology and to bring the benefit of any such improvements directly to the customer.

Additionally we are always prepared to consider custom built products, if you have a special need.

We ensure that your most urgent requirements are met by keeping a large and comprehensive stockholding both in Germany and in our overseas locations.

These products are subject at all times to our DIN ISO 9001 Quality Management Systems.



### Area of Application:

Reservoir installation for direct suction line connection

### Characteristics:

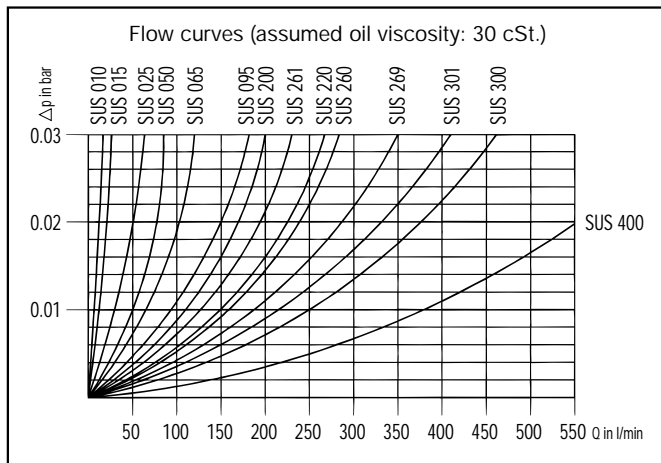
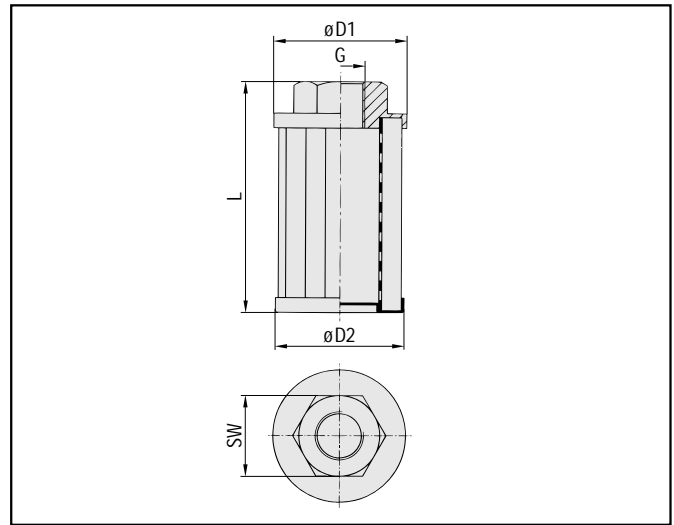
- suitable for mineral oil
- thread form: BSP
- threaded end caps made out of glass fibre reinforced polyamide or aluminium (see Technical Data)

**STAUFF suction strainers SUS are available with NPT threads and/or with an integrated bypass on request.**

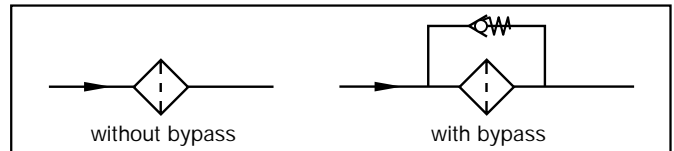
### Technical Data

Temperature range: -20°C ... +100°C  
 Flow range: 400 l/min max  
 Connection thread sizes: G<sup>3/8</sup> - G3  
 Filtermedia: Stainless steel wire mesh  
 Support tube material: Steel, zinc plated  
 Threaded end cap material: glass fibre reinforced polyamide;  
 SUS 220-B32-A ... : Aluminium  
 Bypass opening pressure: 0,20 bar (bypass option on request)

### Dimensions



### Symbols



### Ordering Code and Dimensional Table

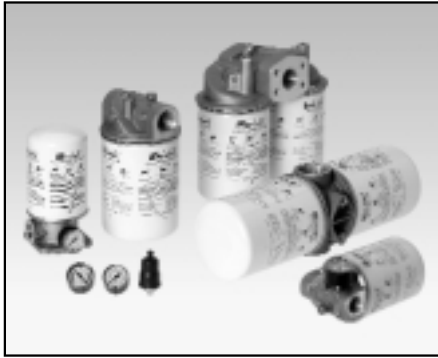
**SUS - 025 - B12 - P - O - 125**

Type	
SUS	Suction Strainer

Micron Rating	
060	60 µm (on request)
125	125 µm (standard)
250	250 µm (on request)

Size	Threaded end cap material	Q max	G	L	D1	D2	SW
010-B06-P	Plastic	10 l/min	G <sup>3/8</sup>	67	50	49	26
015-B08-P	Plastic	15 l/min	G <sup>1/2</sup>	102	50	49	26
025-B12-P	Plastic	25 l/min	G <sup>3/4</sup>	105	68	66	34
050-B16-P	Plastic	50 l/min	G1	140	68	66	42
065-B20-P	Plastic	65 l/min	G1 <sup>1/4</sup>	140	88	85	50
095-B24-P	Plastic	95 l/min	G1 <sup>1/2</sup>	140	88	85	60
200-B24-P	Plastic	200 l/min	G1 <sup>1/2</sup>	200	102	100	72
220-B32-A	Aluminium	220 l/min	G2	151	150	145	70
260-B32-P	Plastic	260 l/min	G2	260	102	100	72
261-B32-P	Plastic	210 l/min	G2	210	102	100	72
269-B32-P	Plastic	300 l/min	G2	300	102	100	72
300-B40-P	Plastic	300 l/min	G2 <sup>1/2</sup>	212	131	128	86
301-B40-P	Plastic	290 l/min	G2 <sup>1/2</sup>	210	131	128	86
400-B48-P	Plastic	400 l/min	G3	272	131	128	96

Bypass Option	
O	no bypass (standard)
3	integrated bypass (0,2 bar / 3 PSI)



**Area of Application:** In-line or tank top installation

**Characteristics / Technical Data:**

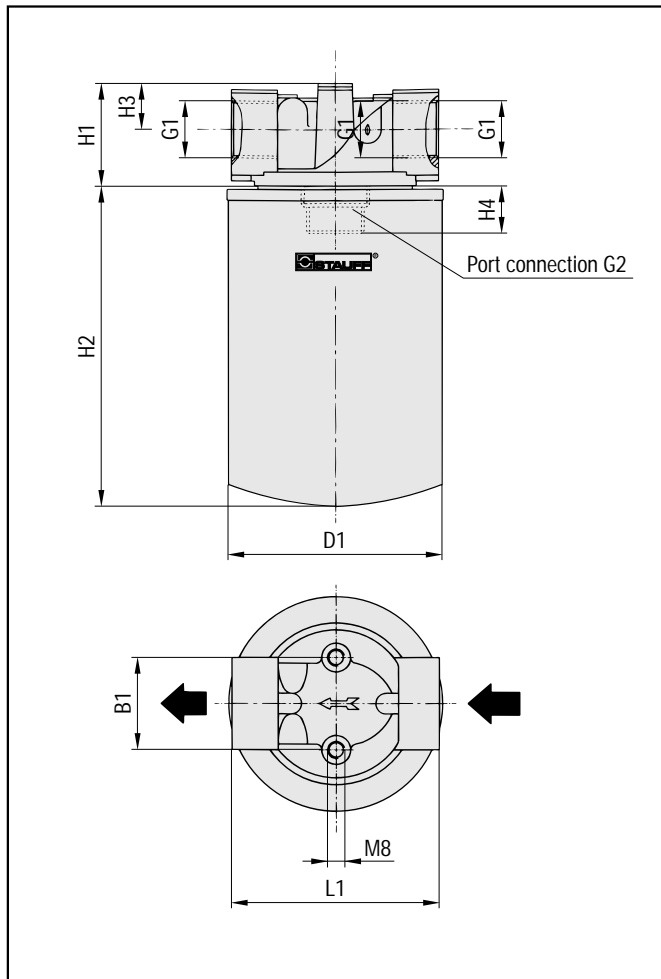
- suitable for hydraulic oil
- available as suction line or return line filter
- Temperature range:  $-25^{\circ}\text{C} \dots +110^{\circ}\text{C}$
- max operating pressure: 12 bar
- burst pressure: 18 bar
- standard filter materials: paper; 10  $\mu\text{m}$ , 25  $\mu\text{m}$
- opening pressure bypass valves: suction filters: 0,25 bar  $\pm$  10%  
return line filters: 1,70 bar  $\pm$  10%
- standard seal material: NBR

Replacement filter elements are available with other micron ratings on request.

This chapter includes in particular:

Page	Topic	Notes
24	Characteristics / Technical Data	for all STAUFF Spin-On Filter series
24	Series SSF 12 / SSF 20	
25	Series SSF 24 / SSF 25	
26	Series SSFT 12 / SSFT 20	
26	Clogging indicators	for all STAUFF Spin-On Filter series
27	Replacement Elements	for all STAUFF Spin-On Filter series
27	Flow curves	for mostly required filter heads and replacement elements
28	Ordering Code	for complete filters and filter elements

**Series SSF 12, SSF 20**



**Spin-On Filters for in-line assembly with one filter element.**

**Dimensional Table**

Type	SSF12	SSF20
G1	G 3/4	G 1 1/4
G2	G 3/4	G 1 1/4 und 1 1/2 - 16 UNF (dual spigot)
D1	98	132
H1	44	61
H2	see element length for SFC35/36 (S.27)	see element length for SFC57/58 (S.27)
H3	22	29
H4	15	35
B1	38	50
L1	95	133

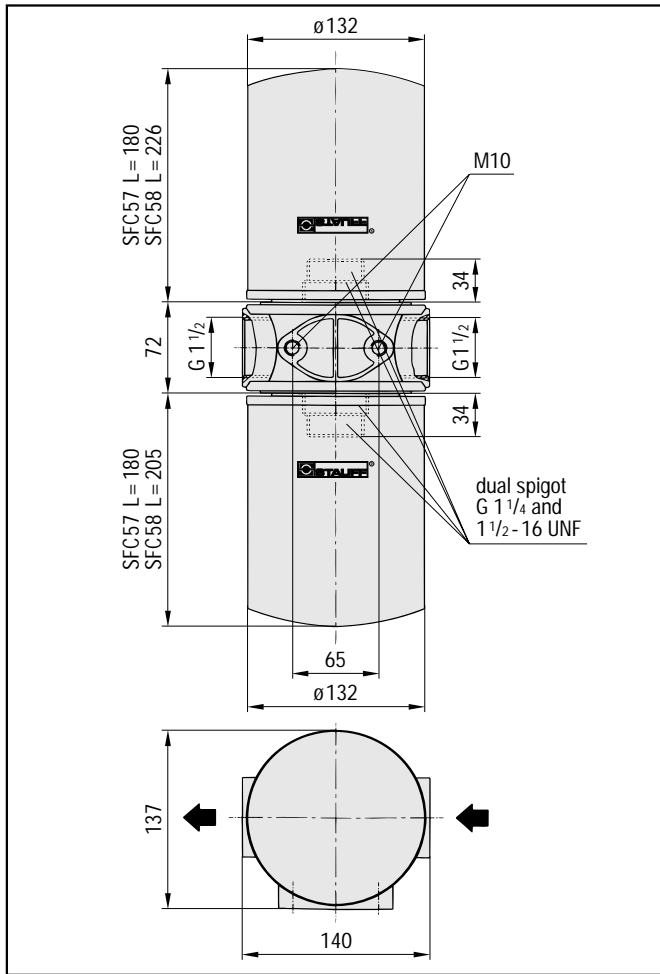
minimum clearance for element installation:  
element length + 20 mm (SSF 12) / + 40 mm (SSF 20)

**Styles available:**

- SSF xx-R** Return line filter with bypass valve 1,7 bar
- SSF xx-S** Suction filter with bypass valve 0,25 bar
- SSF xx-N** Return line or suction filter without bypass

Details on elements, clogging indicators and ordering codes see pages 26 - 28.

## Series SSF 24



**Spin-On Filters for in-line assembly with two filter elements (top/bottom mounting).**

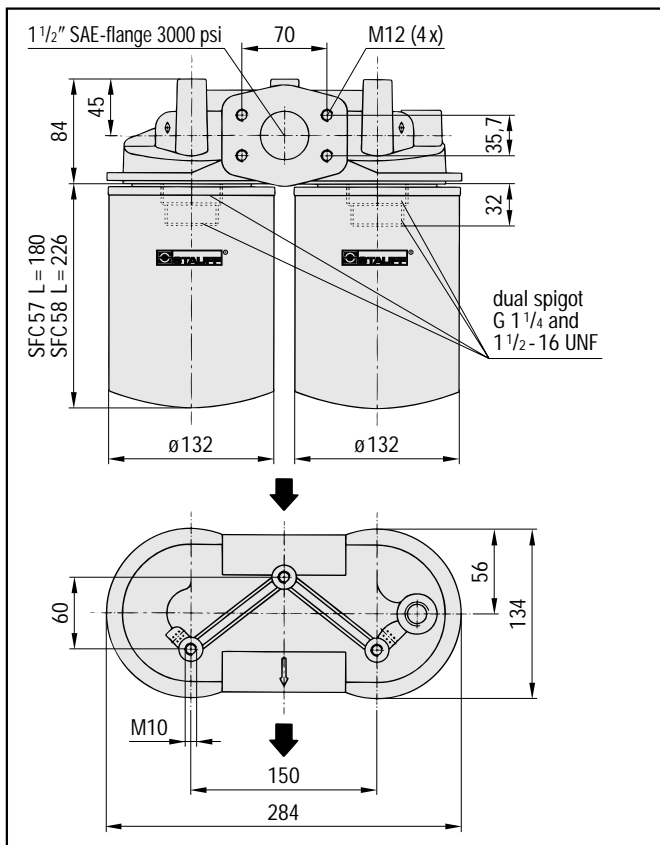
minimum clearance for element installation:  
element length + 40 mm

**Styles available:**

- SSF 24-R** Return line filter with bypass valve 1,7 bar
- SSF 24-S** Suction filter with bypass valve 0,25 bar
- SSF 24-N** Return line or suction filter without bypass

Details on elements, clogging indicators and ordering codes see pages 26 – 28.

## Series SSF 25



**Spin-On Filters for in-line assembly with two filter elements (parallel mounting).**

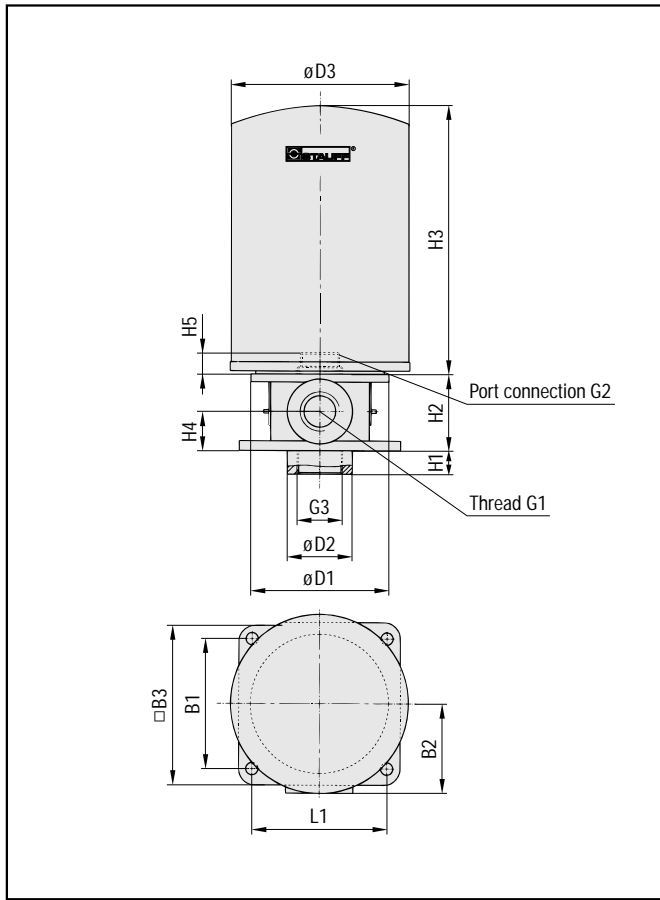
minimum clearance for element installation:  
element length + 40 mm

**Styles available:**

- SSF 25-R** Return line filter with bypass valve 1,7 bar
- SSF 25-S** Suction filter with bypass valve 0,25 bar
- SSF 25-N** Return line or suction filter without bypass

Details on elements, clogging indicators and ordering codes see pages 26 – 28.

## Series SSFT 12, SSFT 20



Spin-On Filters for tank top assembly with one filter element.

Dimensional Table

Type	SSFT12	SSFT20
D1	76	135
D2	35	60
D3	98	132
G1	G 3/4	G 1 1/2
G2	G 3/4	G 1 1/4 und 1 1/2 - 16 UNF (dual spigot)
G3	G 3/4	G 1 1/2
H1	16	20
H2	50	73
H3	see element length for SFCT35/36 (S.27)	see element length for SFCT57/58 (S.27)
H4	25	50
H5	14	34
L1	70	100
B1	70	100
B2	50	70
B3	90	120

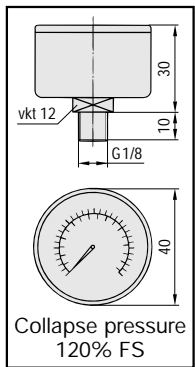
minimum clearance for element installation:  
element length + 20 mm (SSFT 12) / + 40 mm (SSFT 20)

**Styles available:**

**SSFT xx** Return line filter

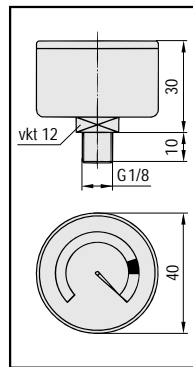
**Details on elements, clogging indicators and ordering codes see pages 26 – 28.**

### Clogging indicators



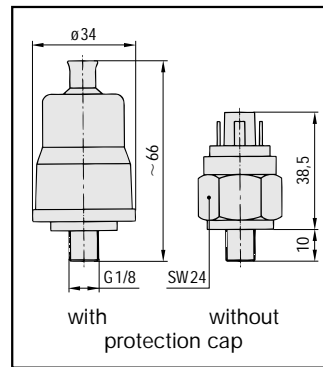
**SIM**

Function: Pressure gauge for return line filter  
Pressure range:  
SIM-12 0 - 12 bar  
SIM-04 0 - 4 bar  
SIM-02 0 - 2,5 bar



**SIS**

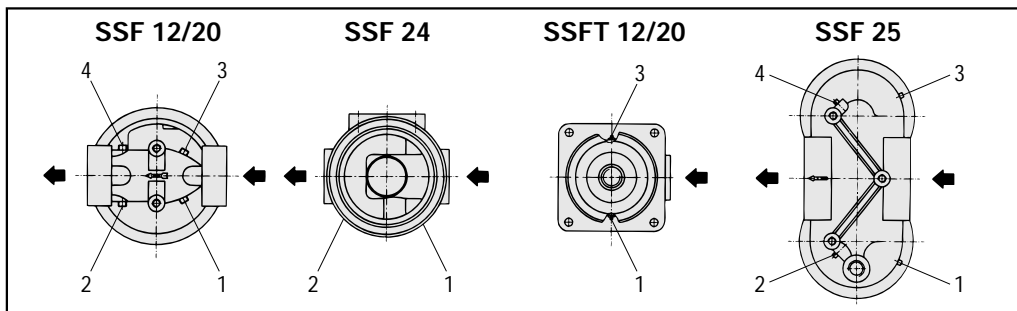
Function: Vacuum gauge for suction filters  
Vacuum range: 0 - 76 cm HG



**SIE-NO/SIE-NC**

Function: Electrical pressure switch for return line filters  
pick-up pressure: 1,3 bar  
**SIE-NO:** "break contact" (standard contact "normally open")  
**SIE-NC:** "make contact" (standard contact "normally closed")

### Clogging indicator mounting instruction

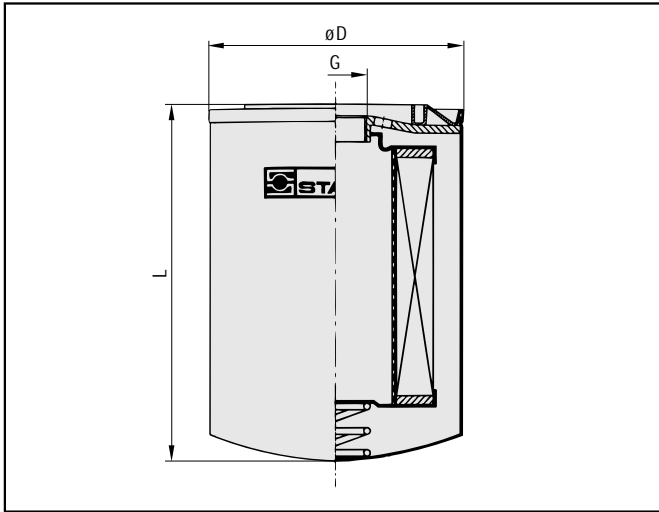


Pos. No.	Mounting Position of clogging indicator	Filter type	Clogging indicator
1	filter entry; left handside	return line filter	pressure gauge SIM, electrical pressure switch SIE
2	filter exit; left handside	suction filter	vacuum gauge SIS
3	filter entry; right handside	return line filter	pressure gauge SIM, electrical pressure switch SIE
4	filter exit; right handside	suction filter	vacuum gauge SIS

### Technical Data SIE-NO and SIE-NC

max operating voltage: 48 V  
max current (res.): 0,5 A  
max current (ind.): 0,2 A  
Materials  
Membrane: NBR  
Housing: Brass  
Operating temperature: -5 ... +60°C  
System of protection: IP54  
max working pressure (static): 80 bar

## Replacement elements

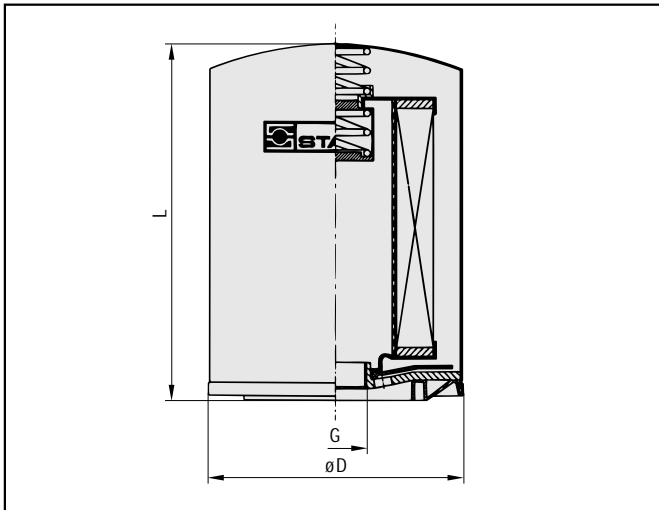


### SFC elements for series SSF (in-line mounting)

#### Dimensional Table

Type	SFC-35	SFC-36	SFC-57	SFC-58
G	G 3/4	G 3/4	G 1 1/4	G 1 1/4
D	98	98	132	132
L	145	190	180	226

Details on ordering codes (single parts and combinations) see page 28.



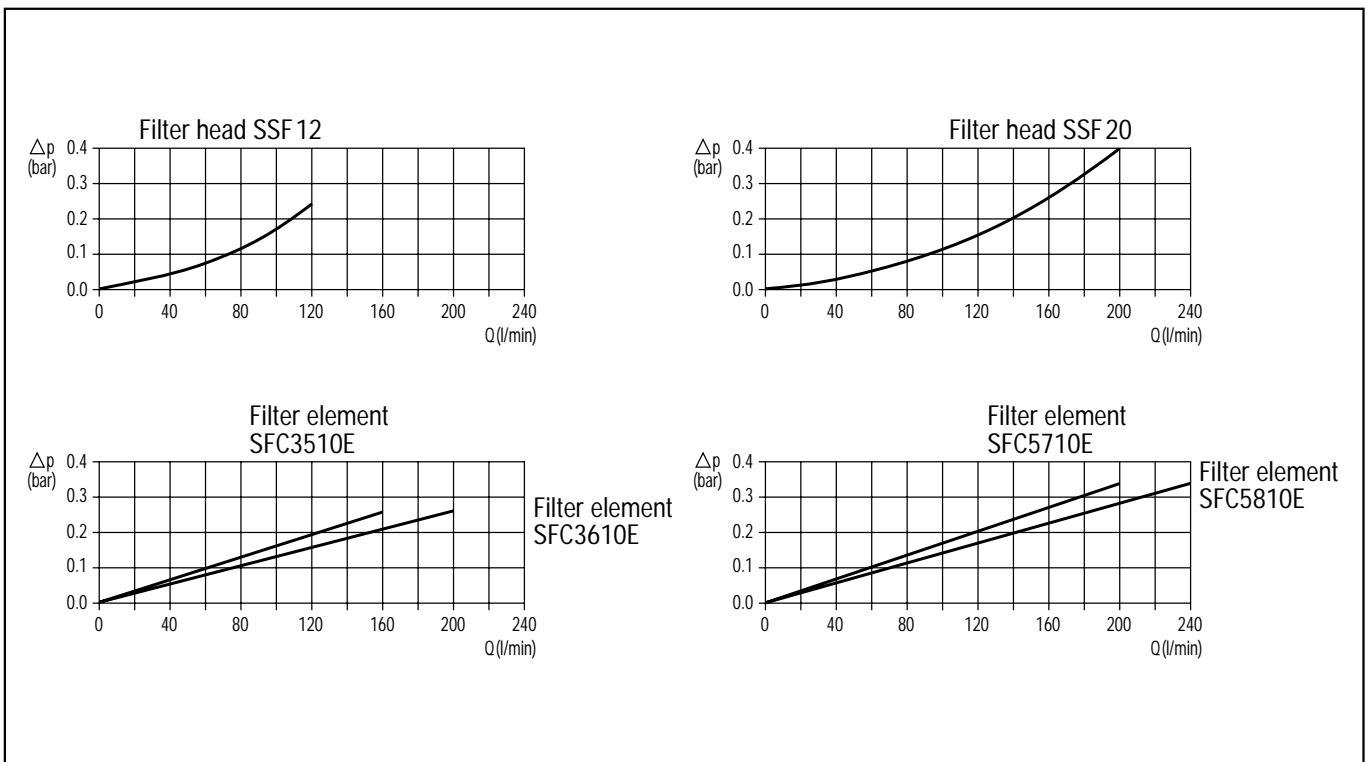
### SFCT elements for series SSFT (tank top mounting)

#### Dimensional Table

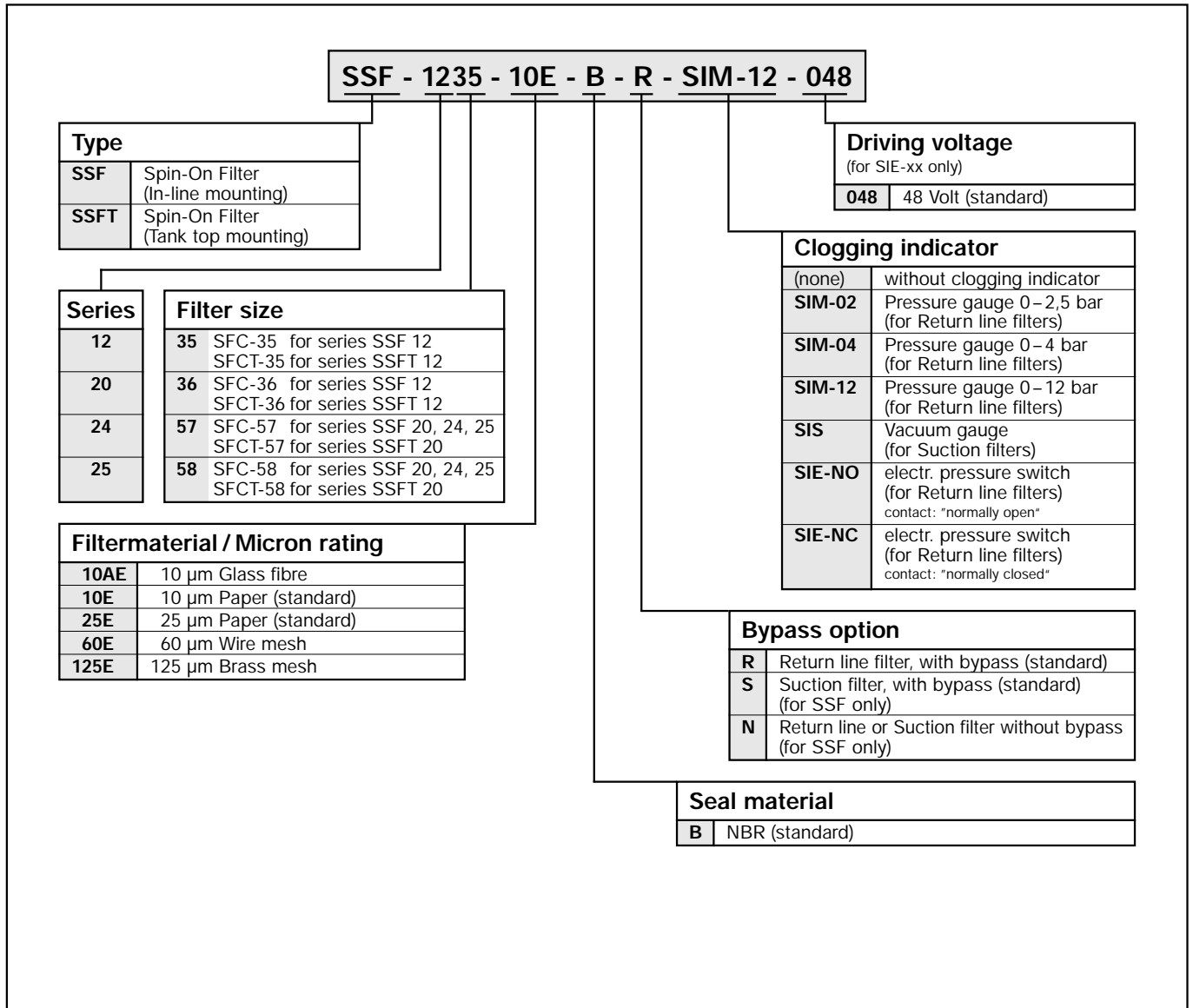
Type	SFCT-35	SFCT-36	SFCT-57	SFCT-58
G	G 3/4	G 3/4	G 1 1/4	G 1 1/4
D	98	98	132	132
L	145	190	180	226

Details on ordering codes (single parts and combinations) see page 28.

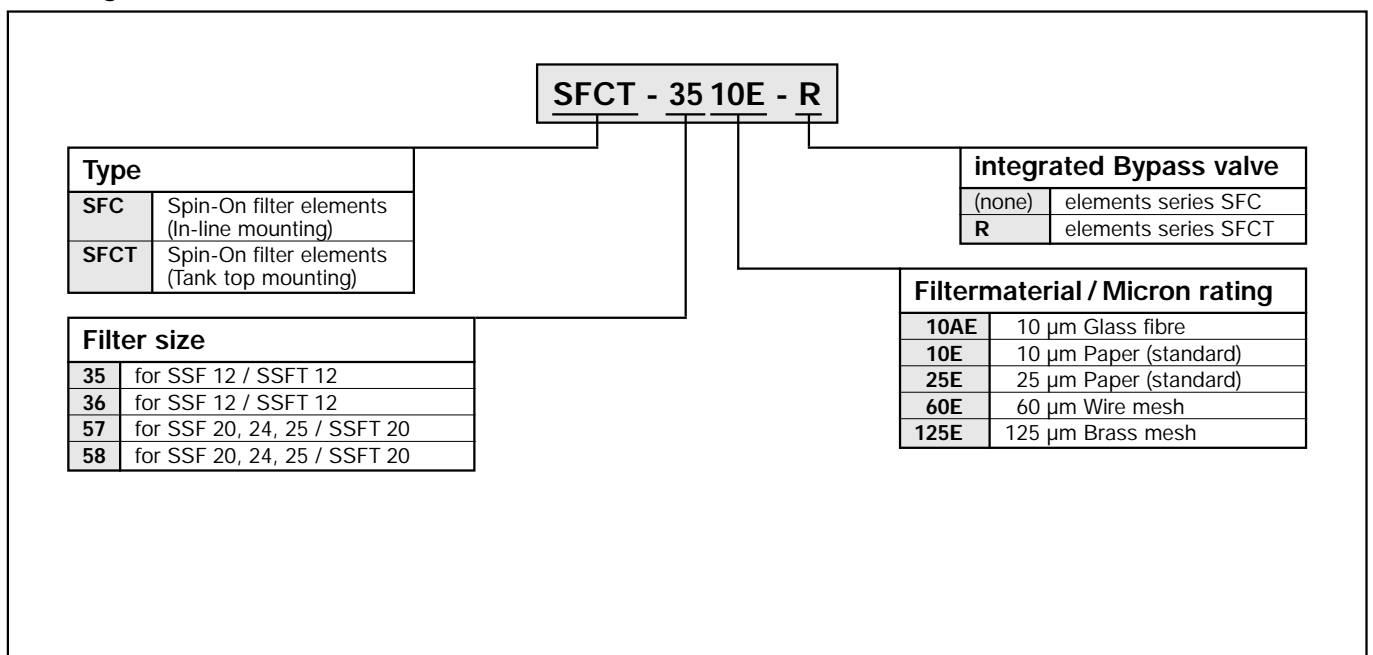
## Flow curves (l/min) – assumed oil viscosity: 30 cSt.



## Ordering Code for complete filters



## Ordering Code for filter elements







### Area of Application:

Foaming and noise reduction in tanks

### Characteristics:

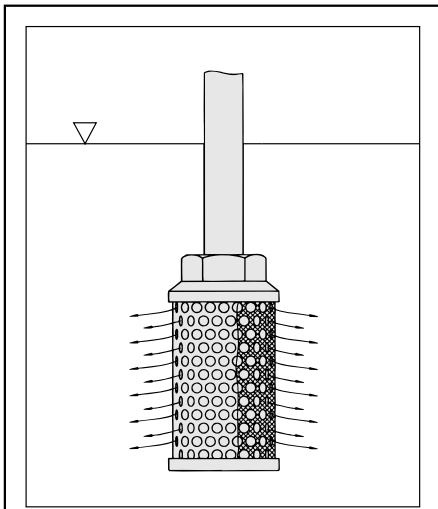
- suitable for mineral oil
- reduce fluid aeration
- silencing
- standard thread form: BSP
- consist of two concentric tubes with discharge holes

STAUFF-Diffusers SRV are available with NPT threads on request.

### Technical Data

Temperature range: -20°C ... +100°C  
 Flow range: 950 l/min max  
 Connection thread sizes: G<sup>3/4</sup> – G3  
 End cap material: Aluminium  
 Body material: Steel, zinc plated

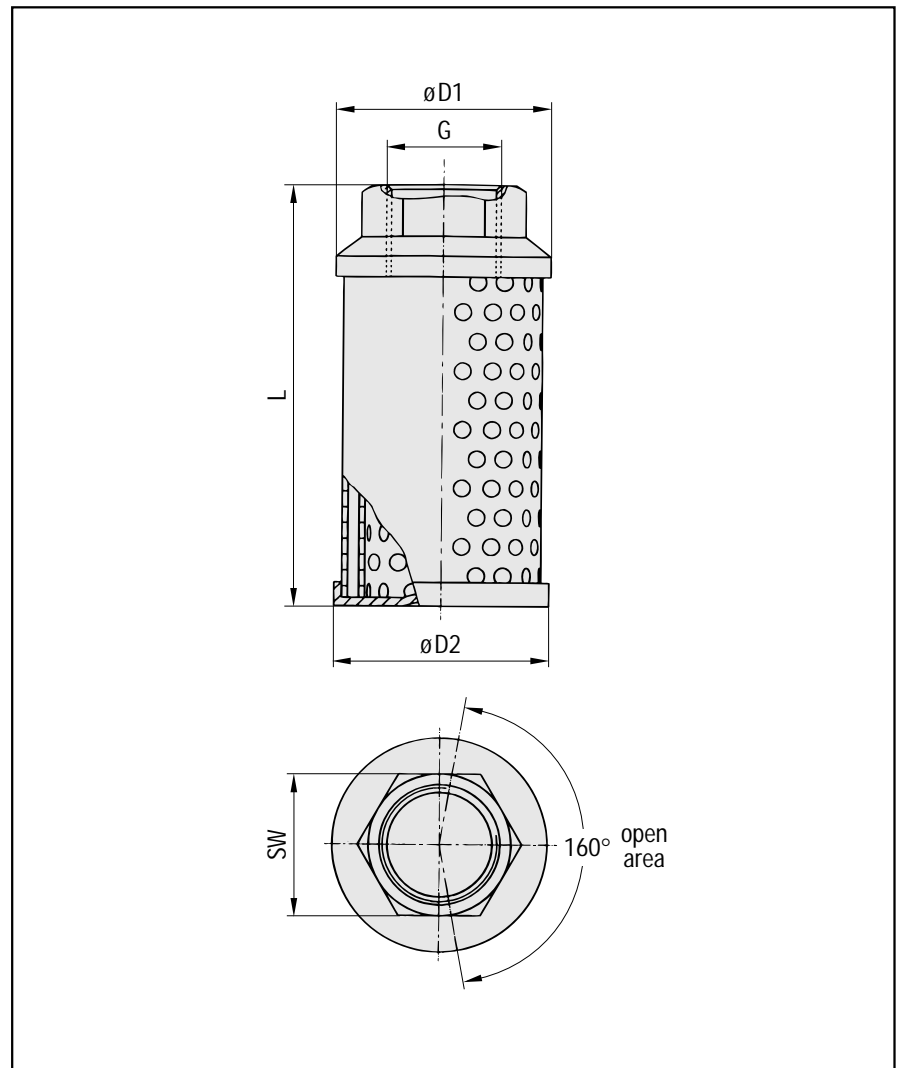
### Example of Application SRV



### Note

SRV must be completely installed below the liquid level. Its plain area on the outside must be facing the pump inlet.

### Dimensions



### Ordering Code and Dimensional Table

Type	Q max	G	L	D1	D2	SW
SRV-050-B12	50 l/min	G <sup>3/4</sup>	109	64	60	36
SRV-114-B16	114 l/min	G1	139	64	60	46
SRV-200-B20	200 l/min	G1 <sup>1/4</sup>	139	86	82	60
SRV-227-B24	227 l/min	G1 <sup>1/2</sup>	200	86	82	60
SRV-454-B32	454 l/min	G2	260	86	82	70
SRV-650-B40	650 l/min	G2 <sup>1/2</sup>	211	150	145	90
SRV-950-B48	950 l/min	G3	272	150	145	100

# Product range



### STAUFF CLAMPS:

Clamping systems for tubes, hoses, pipes, cables and components

#### Original STAUFF Clamps:

The tube fastening system in accordance with DIN 3015

Dimensional range from 6 to 800 mm

Different materials available

#### U-Bolt and DIN clamps

#### Angle Adjustment Clamps

#### Special clamps and supports:

Custom built solutions



### STAUFF TEST:

Pressure test systems

Venting and sampling of liquid and gas pressure systems

nominal working pressure: 630 bar maximum

100% closeness control

components tested in accordance with DIN 40.080

#### Test couplings and accessories:

Adaption threads M16x2 - M16x1,5 -

S12,65x1,5- Plug-in system

#### Test hoses:

DN 2 and DN 4; hose length and fittings on request

### MINITESTER PPC-04:

Digital measuring device for:

Working pressure

Differential pressure

Temperature

Flow

RPH

Data output via

PC or printer



### STAUFF FILTERS:

Hydraulic filtration systems

#### High pressure filters for in-line mounting:

maximum working pressure: 630 bar

#### Return line tank top filters:

maximum working pressure: 16 bar

#### Replacement filter elements:

Compatible quality and dimensional interchange to suit most filter makes produced in own facilities

Filter materials: Glass fibre, Metal fibre, Polyester fibre, Wire mesh, Paper



### STAUFF HYDRAULIC ACCESSORIES:

Components for the construction of tanks and power units and mobile hydraulics

Level gauges

Filler breathers

Check valves

Diffusers

Spin-On - Filters

Return line bushes

Gauge isolator valves

Level temperature switches

Throttle and shut-off valves

Desiccant air breathers

Suction strainers

Stainless steel pressure gauges

Flow indicators

Air filters



### STAUFF BALL VALVES:

Ball valves for flow control in steel, stainless steel,

alloy and other materials.