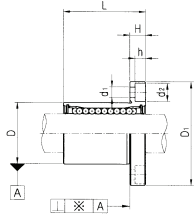
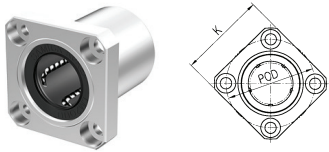


LMK FLANGED LINEAR BUSHING



Samick Square Flanged Linear Bushing LMK 20 UU - A N S	
<b>Nominal Shaft Diameter</b>	
<b>Seal</b>	Blank : No Seal U : One Side Seal UU : Both Side Seal
<b>Retainer</b>	Blank : Resin retainer(Standard) A : Steel retainer(High temperature)
<b>Outer-sleeves (by corrosion resistance type)</b>	Blank : No-plating(Standard) N : Electroless nickel plating R : Raydent treatment
<b>Ball type (by corrosion resistance)</b>	Blank : High carbon bearing steel ball (standard) S : Stainless steel ball

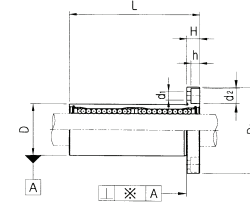
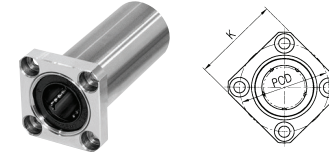
PART NUMBER		DIAMETER dr.	D TOLERANCE	L	D <sub>1</sub>	H	PCD	K	d <sub>1</sub>	d <sub>2</sub>	h	SQUARENESS % (μm)	BASIC LOAD RATING(N)		NO. OF BALL CIRCUIT	WEIGHT (gf)
Resin	Steel												DYNAMIC	STATIC		
LMK6	LMK6-A	6	12	19	28	5	20	22	3.4	6.5	3.3	12	200	260	4	26.5
LMK8S	LMK8S-A	8	15 <sup>0/-0.011</sup>	17	32	5	24	25	3.4	6.5	3.3	12	170	220	4	34
LMK8	LMK8-A	8	15	24	32	5	24	25	3.4	6.5	3.3	12	260	400	4	40
LMK10	LMK10-A	10	19 <sup>0/-0.009</sup>	29	40	6	29	30	4.5	8.0	4.4	12	370	540	4	78
LMK12	LMK12-A	12	21 <sup>0/-0.013</sup>	30	42	6	32	32	4.5	8.0	4.4	12	410	590	4	76
LMK13	LMK13-A	13	23 <sup>0/-0.015</sup>	32	43	6	33	34	4.5	8.0	4.4	12	500	770	4	94
LMK16	LMK16-A	16	28	37	48	6	38	37	4.5	8.0	4.4	12	770	1170	5	134
LMK20	LMK20-A	20	32	42	54	8	43	42	5.5	9.5	5.4	15	860	1370	5	180
LMK25	LMK25-A	25	40 <sup>0/-0.010</sup>	59	62	8	51	50	5.5	9.5	5.4	15	980	1560	6	340
LMK30		30	45 <sup>0/-0.016</sup>	64	74	10	60	58	6.6	11.0	6.5	15	1560	2740	6	460
LMK35		35	52	70	82	10	67	64	6.6	11.0	6.5	20	1660	3130	6	795
LMK40		40	60 <sup>0/-0.02</sup>	80	96	13	78	75	9.0	14.0	8.6	20	2150	4010	6	1054
LMK50		50	80 <sup>0/-0.019</sup>	100	116	13	98	92	9.0	14.0	8.6	20	3820	7930	6	2200
LMK60		60	90 <sup>0/-0.025</sup>	110	134	18	112	106	11.0	17.5	10.8	25	4700	9990	6	2960

Note 1) Dynamic load rating is based on the nominal life of 50km.  
In case of 100km, C on the table need to be divided by 1.26  
Ex) LM12 s 50km basis dynamic load rating C = 410N  
LM12 s 100km basis dynamic load rating C<sub>100</sub> = 410 / 1.26 = 325.40N

Note 2) Based on the weight of resin retainer

Note 3) Dimension : mm

LMK\_L FLANGED LINEAR BUSHING LONG



Samick Square Flanged Linear Bushing LMK 20 L UU - A N S	
<b>Nominal Shaft Diameter</b>	
<b>Linear Bushing Long type (for high load)</b>	
<b>Seal</b>	Blank : No Seal U : One Side Seal UU : Both Side Seal
<b>Retainer</b>	Blank : Resin retainer(Standard) A : Steel retainer(High temperature)
<b>Outer-sleeves (by corrosion resistance type)</b>	Blank : No-plating(Standard) N : Electroless nickel plating R : Raydent treatment
<b>Ball type (by corrosion resistance)</b>	Blank : High carbon bearing steel ball (standard) S : Stainless steel ball

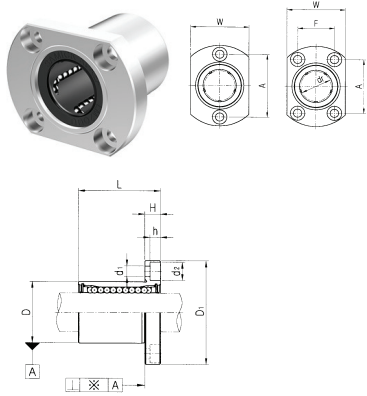
PART NUMBER		DIAMETER dr.	D TOLERANCE	L	D <sub>1</sub>	H	PCD	K	d <sub>1</sub>	d <sub>2</sub>	h	SQUARENESS % (μm)	BASIC LOAD RATING(N)		NO. OF BALL CIRCUIT	WEIGHT (gf)
Resin	Steel												DYNAMIC	STATIC		
LMK6 L	LMK6L-A	6	12	35	28	5	20	22	3.4	6.5	3.3	15	320	520	4	31
LMK8 L	LMK8L-A	8	15 <sup>0/-0.013</sup>	45	32	5	24	25	3.4	6.5	3.3	15	430	780	4	53
LMK10 L	LMK10L-A	10	19	55	40	6	29	30	4.5	8.0	4.4	15	580	1100	4	105
LMK12 L	LMK12L-A	12	21 <sup>0/-0.010</sup>	57	42	6	32	32	4.5	8.0	4.4	15	650	1200	4	100
LMK13 L	LMK13L-A	13	23 <sup>0/-0.015</sup>	61	43	6	33	34	4.5	8.0	4.4	15	810	1570	4	130
LMK16 L	LMK16L-A	16	28	70	48	6	38	37	4.5	8.0	4.4	15	1230	2350	5	187
LMK20 L	LMK20L-A	20	32	80	54	8	43	42	5.5	9.5	5.4	20	1400	2750	5	260
LMK25 L	LMK25L-A	25	40 <sup>0/-0.012</sup>	112	62	8	51	50	5.5	9.5	5.4	20	1560	3140	6	515
LMK30 L		30	45 <sup>0/-0.019</sup>	123	74	10	60	58	6.6	11.0	6.5	20	2490	5490	6	655
LMK35 L		35	52	135	82	10	67	64	6.6	11.0	6.5	25	2650	6470	6	970
LMK40 L		40	60 <sup>0/-0.02</sup>	154	96	13	78	75	9.0	14.0	8.6	25	3430	8040	6	1560
LMK50 L		50	80 <sup>0/-0.022</sup>	192	116	13	98	92	9.0	14.0	8.6	25	6080	15900	6	3500
LMK60 L		60	90 <sup>0/-0.025</sup>	211	134	18	112	106	11.0	17.5	10.8	25	7650	20000	6	4500

Note 1) Dynamic load rating is based on the nominal life of 50km.  
In case of 100km, C on the table need to be divided by 1.26  
Ex) LM12 s 50km basis dynamic load rating C = 410N  
LM12 s 100km basis dynamic load rating C<sub>100</sub> = 410 / 1.26 = 325.40N

Note 2) Based on the weight of resin retainer

Note 3) Dimension : mm

**LMH** FLANGED LINEAR BUSHING



Samick Oval Flanged Linear Bushing	LMH	20	UU	-	A	N	S
<b>Nominal Shaft Diameter</b>							
<b>Seal</b>							
Blank : No Seal U : One Side Seal UU : Both Side Seal							
<b>Retainer</b>							
Blank : Resin retainer(Standard) A : Steel retainer(High temperature)							
<b>Outer-sleeves (by corrosion resistance type)</b>							
Blank : No-plating(Standard) N : Electroless nickel plating R : Raydent treatment							
<b>Ball type (by corrosion resistance)</b>							
Blank : High carbon bearing steel ball (standard) S : Stainless steel ball							

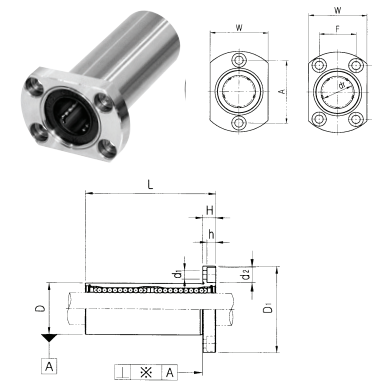
PART NUMBER		DIAMETER dr. TOLERANCE	D TOLERANCE	L	D <sub>1</sub>	H	W	A	F	d <sub>1</sub>	d <sub>2</sub>	h	SQUARENESS μ(m)	BASIC LOAD RATING(N)		NO. OF BALL OR QUIT	WEIGHT (gf)
Resin	Steel													DYNAMIC(C)	STATIC(C <sub>0</sub> )		
LMH6	LMH6-A	6	12 <sup>0</sup> / <sub>-0.011</sub>	19	28	5	18	20	-	3.4	6.5	3.3	12	200	260	4	26.5
LMH8	LMH8-A	8	15 <sup>0</sup> / <sub>-0.011</sub>	24	32	5	21	24	-	3.4	6.5	3.3	12	260	400	4	40
LMH10	LMH10-A	10	19 <sup>0</sup> / <sub>-0.009</sub>	29	40	6	25	29	-	4.5	8.0	4.4	12	370	540	4	78
LMH12	LMH12-A	12	21 <sup>0</sup> / <sub>-0.013</sub>	30	42	6	27	32	-	4.5	8.0	4.4	12	410	590	4	76
LMH13	LMH13-A	13	23 <sup>0</sup> / <sub>-0.016</sub>	32	43	6	29	33	-	4.5	8.0	4.4	12	500	770	4	94
LMH16	LMH16-A	16	28 <sup>0</sup> / <sub>-0.016</sub>	37	48	6	34	31	22	4.5	8.0	4.4	12	770	1170	5	134
LMH20	LMH20-A	20	32 <sup>0</sup> / <sub>-0.016</sub>	42	54	8	38	36	24	5.5	9.5	5.4	15	860	1370	5	180
LMH25	LMH25-A	25	40 <sup>0</sup> / <sub>-0.016</sub>	59	62	8	46	40	32	5.5	9.5	5.4	15	980	1560	6	340
LMH30		30	45 <sup>0</sup> / <sub>-0.016</sub>	64	74	10	51	49	35	6.6	11.0	6.5	15	1560	2740	6	460

Note 1) Dynamic load rating is based on the nominal life of 50km.  
In case of 100km, C on the table need to be divided by 1.26  
Ex) LM12 s 50km basis dynamic load rating C = 410N  
LM12 s 100km basis dynamic load rating C<sub>100</sub> = 410 / 1.26 = 325.40N

Note 2) Based on the weight of resin retainer

Note 3) Dimension : mm

**LMH<sub>L</sub>** FLANGED LINEAR BUSHING LONG



Samick Oval Flanged Linear Bushing	LMH	20	L	UU	-	A	N	S
<b>Nominal Shaft Diameter</b>								
<b>Linear Bushing Long type (for high load)</b>								
<b>Seal</b>								
Blank : No Seal U : One Side Seal UU : Both Side Seal								
<b>Retainer</b>								
Blank : Resin retainer(Standard) A : Steel retainer(High temperature)								
<b>Outer-sleeves (by corrosion resistance type)</b>								
Blank : No-plating(Standard) N : Electroless nickel plating R : Raydent treatment								
<b>Ball type (by corrosion resistance)</b>								
Blank : High carbon bearing steel ball (standard) S : Stainless steel ball								

PART NUMBER		DIAMETER dr. TOLERANCE	D TOLERANCE	L	D <sub>1</sub>	H	W	A	F	d <sub>1</sub>	d <sub>2</sub>	h	SQUARENESS μ(m)	BASIC LOAD RATING(N)		NO. OF BALL OR QUIT	WEIGHT (gf)
Resin	Steel													DYNAMIC(C)	STATIC(C <sub>0</sub> )		
LMH6 L	LMH6L-A	6	12 <sup>0</sup> / <sub>-0.013</sub>	35	28	5	18	20	-	3.4	6.5	3.3	15	320	520	4	31
LMH8 L	LMH8L-A	8	15 <sup>0</sup> / <sub>-0.013</sub>	45	32	5	21	24	-	3.4	6.5	3.3	15	430	780	4	53
LMH10 L	LMH10L-A	10	19 <sup>0</sup> / <sub>-0.010</sub>	55	40	6	25	29	-	4.5	8.0	4.4	15	580	1100	4	105
LMH12 L	LMH12L-A	12	21 <sup>0</sup> / <sub>-0.016</sub>	57	42	6	27	32	-	4.5	8.0	4.4	15	650	1200	4	100
LMH13 L	LMH13L-A	13	23 <sup>0</sup> / <sub>-0.016</sub>	61	43	6	29	33	-	4.5	8.0	4.4	15	810	1570	4	130
LMH16 L	LMH16L-A	16	28 <sup>0</sup> / <sub>-0.016</sub>	70	48	6	34	31	22	4.5	8.0	4.4	15	1230	2350	5	187
LMH20 L	LMH20L-A	20	32 <sup>0</sup> / <sub>-0.016</sub>	80	54	8	38	36	24	5.5	9.5	5.4	20	1400	2750	5	260
LMH25 L	LMH25L-A	25	40 <sup>0</sup> / <sub>-0.016</sub>	112	62	8	46	40	32	5.5	9.5	5.4	20	1560	3140	6	515
LMH30 L		30	45 <sup>0</sup> / <sub>-0.016</sub>	123	74	10	51	49	35	6.6	11.0	6.5	20	2490	5490	6	655

Note 1) Dynamic load rating is based on the nominal life of 50km.  
In case of 100km, C on the table need to be divided by 1.26  
Ex) LM12 s 50km basis dynamic load rating C = 410N  
LM12 s 100km basis dynamic load rating C<sub>100</sub> = 410 / 1.26 = 325.40N

Note 2) Based on the weight of resin retainer

Note 3) Dimension : mm