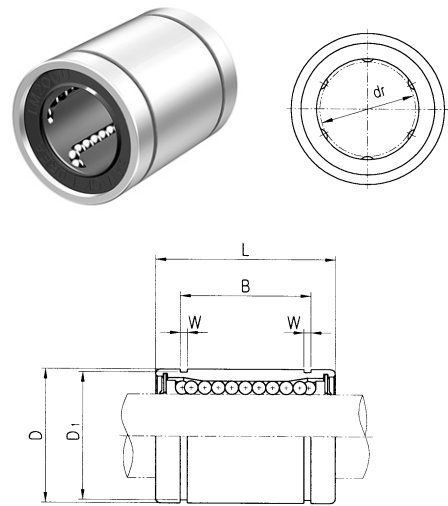


LME CLOSED LINEAR BUSHING

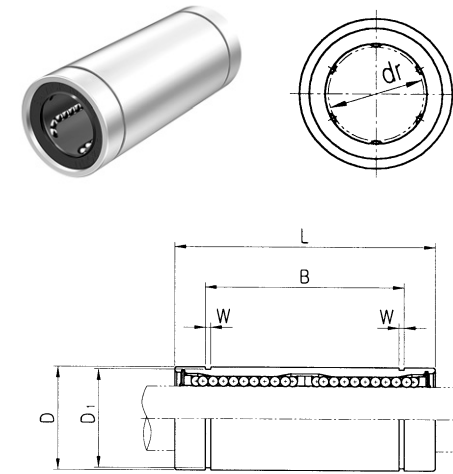


European Standard Samick Linear Bushing	LME	20	UU	-	A	N	S
Nominal Shaft Diameter							
Seal							
Blank : No Seal							
U : One Side Seal							
UU : Both Side Seal							
Retainer							
Blank : Resin retainer(Standard)							
A : Steel retainer(High temperature)							
Outer-sleeves (by corrosion resistance type)							
Blank : No-plating(Standard)							
N : Electroless nickel plating							
R : Raydent treatment							
Ball type (by corrosion resistance)							
Blank : High carbon bearing steel ball (standard)							
S : Stainless steel ball							

PART NUMBER	DIAMETER		L	B	W	D ₁	BASIC LOAD RATING(N)		NO. OF BALL CIRCUIT	WEIGHT (g)
	Resin	Steel					dr. TOLERANCE	mm TOLERANCE		
LME5			22	14.5	1.1	11.5	200	260	4	12
LME8	LME8-A	8	25	16.5	1.1	15.2	260	400	4	20
LME12	LME12-A	12	32	22.9	1.3	21	410	590	4	41
LME16	LME16-A	16	36	24.9	1.3	24.9	770	1170	5	57
LME20	LME20-A	20	45	31.5	1.6	30.3	860	1370	5	91
LME25	LME25-A	25	58	44.1	1.85	37.5	980	1560	6	215
LME30		30	68	52.1	1.85	44.5	1560	2740	6	325
LME40		40	80	60.6	2.15	59	2150	4010	6	705
LME50		50	100	77.6	2.65	72	3820	7930	6	1130
LME60		60	125	101.7	3.15	86.5	4700	9990	6	2220

Note 1) Dynamic load rating is based on the nominal life of 50km.
 In case of 100km, C on the table need to be divided by 1.26
 Ex) LM12's 50km basis dynamic load rating C = 410N
 LM12's 100km basis dynamic load rating C₁₀₀ = 410 / 1.26 = 325.40N
 Note 2) Based on the weight of resin retainer
 Note 3) Dimension : mm

LME_L LONG LINEAR BUSHING

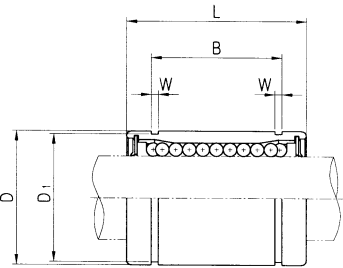
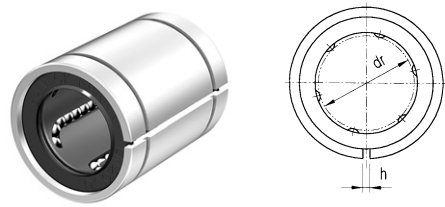


European Standard Samick Linear Bushing	LME	20	L	UU	-	A	N	S
Nominal Shaft Diameter								
Linear Bushing Long type (for high load)								
Seal								
Blank : No Seal								
U : One Side Seal								
UU : Both Side Seal								
Retainer								
Blank : Resin retainer(Standard)								
A : Steel retainer(High temperature)								
Outer-sleeves (by corrosion resistance type)								
Blank : No-plating(Standard)								
N : Electroless nickel plating								
R : Raydent treatment								
Ball type (by corrosion resistance)								
Blank : High carbon bearing steel ball (standard)								
S : Stainless steel ball								

PART NUMBER	DIAMETER		L	B	W	D ₁	BASIC LOAD RATING(N)		NO. OF BALL CIRCUIT	WEIGHT (g)
	Resin	Steel					dr. TOLERANCE	mm TOLERANCE		
LME8L	LME8L-A	8	45	33	1.1	15.2	430	780	4	31
LME12L	LME12L-A	12	57	45.8	1.3	21	650	1200	4	80
LME16L	LME16L-A	16	70	49.8	1.3	24.9	1230	2350	5	145
LME20L	LME20L-A	20	80	61	1.6	30.3	1400	2750	5	180
LME25L	LME25L-A	25	112	82	1.85	38	1560	3140	6	440
LME30L		30	123	104.2	1.85	44.5	2490	5490	6	580
LME40L		40	154	121.2	2.15	59	3430	8040	6	1170
LME50L		50	192	155.2	2.65	72	6080	15900	6	3100
LME60L		60	211	170	3.15	86.5	7650	20000	6	3500

Note 1) Dynamic load rating is based on the nominal life of 50km.
 In case of 100km, C on the table need to be divided by 1.26
 Ex) LM12 s 50km basis dynamic load rating C = 410N
 LM12 s 100km basis dynamic load rating C₁₀₀ = 410 / 1.26 = 325.40N
 Note 2) Based on the weight of resin retainer
 Note 3) Dimension : mm

LME_AJ ADJUSTABLE LINEAR BUSHING



European Standard Samick Linear Bushing LME 20 UU AJ - A N S											
Nominal Shaft Diameter											
Seal											
Blank : No Seal U : One Side Seal UU : Both Side Seal											
Linear Bushing Adjustable type											
Retainer											
Blank : Resin retainer(Standard) A : Steel retainer(High temperature)											
Outer-sleeves (by corrosion resistance type)											
Blank : No-plating(Standard) N : Electroless nickel plating R : Raydent treatment											
Ball type (by corrosion resistance)											
Blank : High carbon bearing steel ball (standard) S : Stainless steel ball											

PART NUMBER	DIAMETER	D	L	B	W	D ₁	h	BASIC LOAD RATING(N)		NO. OF BALL ORUIT	WEIGHT (g)
								DYNAMIC(C)	STATIC(C ₀)		
LME5AJ	5	12 ⁰ ₋₀	22	14.5	1.1	11.5	1	200	260	4	12
LME8AJ	LME8AJ-A	8 ^{+0.008} ₀	25	16.5	1.1	15.2	1	260	400	4	20
LME12AJ	LME12AJ-A	12 ⁰ _{-0.009}	32	22.9	1.3	21	1.5	410	590	4	41
LME16AJ	LME16AJ-A	16 ^{+0.009} _{-0.001}	36	24.9	1.3	24.9	1.5	770	1170	5	57
LME20AJ	LME20AJ-A	20 ⁰ _{-0.001}	45	31.5	1.6	30.3	2	860	1370	5	91
LME25AJ	LME25AJ-A	25 ^{+0.011} _{-0.001}	58	44.1	1.85	37.5	2	980	1560	6	215
LME30AJ		30 ⁰ _{-0.001}	68	52.1	1.85	44.5	2	1560	2740	6	325
LME40AJ		40 ⁰ _{-0.013}	80	60.6	2.15	59	3	2150	4010	6	705
LME50AJ		50 ^{+0.013} _{-0.002}	100	77.6	2.65	72	3	3820	7930	6	1130
LME60AJ		60 ⁰ _{-0.015}	125	101.7	3.15	86.5	3	4700	9990	6	2220

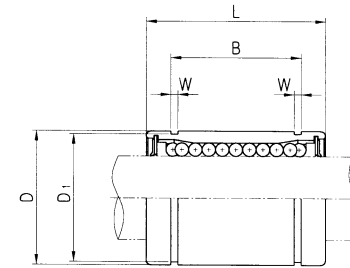
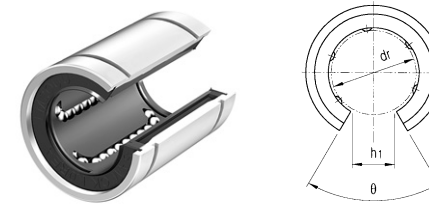
Note 1) Dynamic load rating is based on the nominal life of 50km.
In case of 100km, C on the table need to be divided by 1.26
Ex) LM12's 50km basis dynamic load rating C = 410N
LM12's 100km basis dynamic load rating C₁₀₀ = 410 / 1.26 = 325.40N

Note 2) Based on the weight of resin retainer

Note 3) Dimension : mm

Note 4) Outer diameter is the obtained value before the slotting process.

LME_OP OPEN LINEAR BUSHING



European Standard Samick Linear Bushing LME 20 UU OP - A N S											
Nominal Shaft Diameter											
Seal											
Blank : No Seal U : One Side Seal UU : Both Side Seal											
Linear Bushing Open type											
Retainer											
Blank : Resin retainer(Standard) A : Steel retainer(High temperature)											
Outer-sleeves (by corrosion resistance type)											
Blank : No-plating(Standard) N : Electroless nickel plating R : Raydent treatment											
Ball type (by corrosion resistance)											
Blank : High carbon bearing steel ball (standard) S : Stainless steel ball											

PART NUMBER	DIAMETER	D	L	B	W	D ₁	h ₁	θ	BASIC LOAD RATING(N)		NO. OF BALL ORUIT	WEIGHT (g)
									DYNAMIC(C)	STATIC(C ₀)		
LME12OP	LME12OP-A	12 ^{+0.008} ₀	32	22.9	1.3	21	7.5	78°	410	590	3	41
LME16OP	LME16OP-A	16 ⁰ _{-0.009}	36	24.9	1.3	24.9	10	78°	770	1170	4	57
LME20OP	LME20OP-A	20 ^{+0.009} _{-0.001}	45	31.5	1.6	30.3	10	60°	860	1370	4	91
LME25OP	LME25OP-A	25 ⁰ _{-0.011}	58	44.1	1.85	37.5	12.5	60°	980	1560	5	215
LME30OP		30 ^{+0.011} _{-0.001}	68	52.1	1.85	44.5	12.5	50°	1560	2740	5	325
LME40OP		40 ⁰ _{-0.013}	80	60.6	2.15	59	16.8	50°	2150	4010	5	705
LME50OP		50 ^{+0.013} _{-0.002}	100	77.6	2.65	72	21	50°	3820	7930	5	1130
LME60OP		60 ⁰ _{-0.015}	125	101.7	3.15	86.5	27.2	54°	4700	9990	5	2220

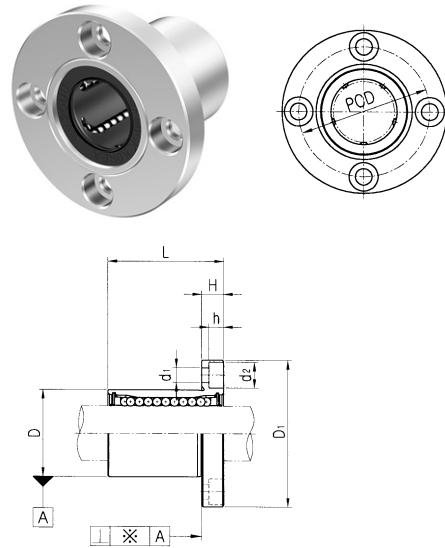
Note 1) Dynamic load rating is based on the nominal life of 50km.
In case of 100km, C on the table need to be divided by 1.26
Ex) LM12's 50km basis dynamic load rating C = 410N
LM12's 100km basis dynamic load rating C₁₀₀ = 410 / 1.26 = 325.40N

Note 2) Based on the weight of resin retainer

Note 3) Dimension : mm

Note 4) Outer diameter is the obtained value before the slotting process.

LMEF FLANGED LINEAR BUSHING



European Standard Samick Circular Flanged Linear Bushing		LMEF	20	UU	-	A	N	S
Nominal Shaft Diameter								
Seal		Blank : No Seal U : One Side Seal UU : Both Side Seal						
Retainer		Blank : Resin retainer(Standard) A : Steel retainer(High temperature)						
Outer-sleeves (by corrosion resistance type)		Blank : No-plating(Standard) N : Electroless nickel plating R : Raydent treatment						
Ball type (by corrosion resistance)		Blank : High carbon bearing steel ball (standard) S : Stainless steel ball						

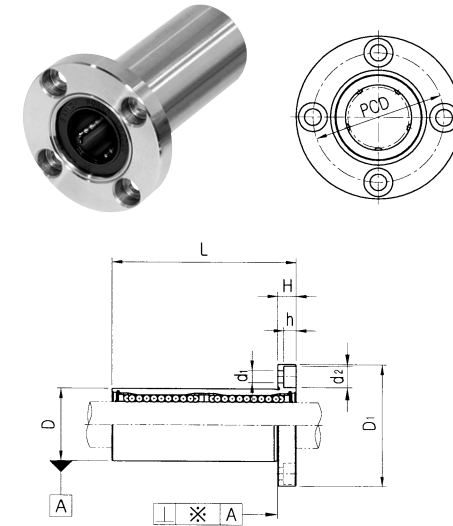
PART NUMBER		DIAMETER dr. TOLERANCE	D mm TOLERANCE	L	D ₁	H	PCD	d ₁	d ₂	h	SQUARENESS ※(μm)	BASIC LOAD RATING(N)		NO. OF BALL CIRCUIT	WEIGHT (gf)
Resin	Steel											DYNAMIC(C)	STATIC(C ₀)		
LMEF8	LMEF8-A	8 ^{+0.003} ₀	16 ⁰ _{-0.003}	25	32	5	24	3.4	6.5	3.3	12	260	400	4	44
LMEF12	LMEF12-A	12 ^{+0.003} ₀	22 ⁰ _{-0.003}	32	42	6	32	4.5	8	4.4	12	410	590	4	86
LMEF16	LMEF16-A	16 ^{+0.003} _{-0.001}	26 ⁰ _{-0.003}	36	46	6	36	4.5	8	4.4	12	770	1170	5	120
LMEF20	LMEF20-A	20 ^{+0.003} _{-0.001}	32 ⁰ _{-0.003}	45	54	8	43	5.5	9.5	5.4	15	860	1370	5	184
LMEF25	LMEF25-A	25 ^{+0.011} _{-0.001}	40 ⁰ _{-0.011}	58	62	8	51	5.5	9.5	5.4	15	980	1560	6	335
LMEF30		30 ^{+0.011} _{-0.001}	47 ⁰ _{-0.011}	68	76	10	62	6.6	11	6.5	15	1560	2740	6	545
LMEF40		40 ^{+0.011} _{-0.001}	62 ⁰ _{-0.011}	80	98	13	80	9	14	8.6	20	2150	4010	6	1185
LMEF50		50 ^{+0.013} _{-0.002}	75 ⁰ _{-0.013}	100	112	13	94	9	14	8.6	20	3820	7930	6	1730
LMEF60		60 ^{+0.013} _{-0.002}	90 ⁰ _{-0.013}	125	134	18	112	11	17.5	10.8	25	4700	9990	6	3180

Note 1) Dynamic load rating is based on the nominal life of 50km.
In case of 100km, C on the table need to be divided by 1.26
Ex) LM12's 50km basis dynamic load rating C = 410N
LM12's 100km basis dynamic load rating C₁₀₀ = 410 / 1.26 = 325.40N

Note 2) Based on the weight of resin retainer

Note 3) Dimension : mm

LMEF_L FLANGED LINEAR BUSHING



European Standard Samick Circular Flanged Linear Bushing		LMEF	20	L	UU	-	A	N	S
Nominal Shaft Diameter									
Linear Bushing Long type(for high load)									
Seal		Blank : No Seal U : One Side Seal UU : Both Side Seal							
Retainer		Blank : Resin retainer(Standard) A : Steel retainer(High temperature)							
Outer-sleeves (by corrosion resistance type)		Blank : No-plating(Standard) N : Electroless nickel plating R : Raydent treatment							
Ball type (by corrosion resistance)		Blank : High carbon bearing steel ball (standard) S : Stainless steel ball							

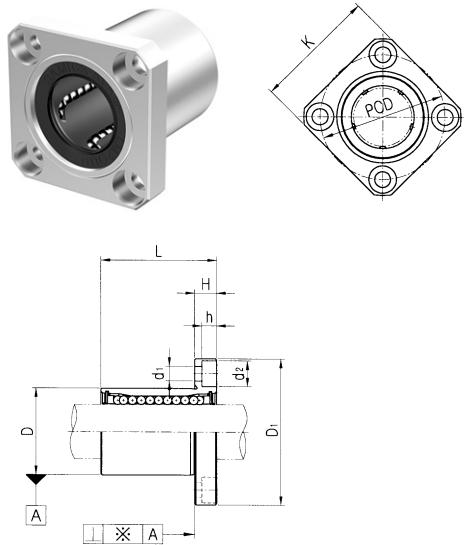
PART NUMBER		DIAMETER dr. TOLERANCE	D mm TOLERANCE	L	D ₁	H	PCD	d ₁	d ₂	h	SQUARENESS ※(μm)	BASIC LOAD RATING(N)		NO. OF BALL CIRCUIT	WEIGHT (gf)
Resin	Steel											DYNAMIC(C)	STATIC(C ₀)		
LMEF8L	LMEF8L-A	8 ^{+0.003} _{-0.001}	16 ⁰ _{-0.003}	45	32	5	24	3.4	6.5	3.3	15	430	780	4	53
LMEF12L	LMEF12L-A	12 ^{+0.003} _{-0.001}	22 ⁰ _{-0.003}	57	42	6	32	4.5	8	4.4	15	650	1200	4	100
LMEF16L	LMEF16L-A	16 ^{+0.011} _{-0.001}	26 ⁰ _{-0.001}	70	46	6	36	4.5	8	4.4	15	1230	2350	5	187
LMEF20L	LMEF20L-A	20 ^{+0.011} _{-0.001}	32 ⁰ _{-0.001}	80	54	8	43	5.5	9.5	5.4	17	1400	2750	5	260
LMEF25L	LMEF25L-A	25 ^{+0.013} _{-0.002}	40 ⁰ _{-0.013}	112	62	8	51	5.5	9.5	5.4	17	1560	3140	6	515
LMEF30L		30 ^{+0.013} _{-0.002}	47 ⁰ _{-0.013}	123	76	10	62	6.6	11	6.5	17	2490	5490	6	655
LMEF40L		40 ^{+0.013} _{-0.002}	62 ⁰ _{-0.013}	154	98	13	80	9	14	8.6	20	3430	8040	6	1560
LMEF50L		50 ^{+0.016} _{-0.004}	75 ⁰ _{-0.016}	192	112	13	94	9	14	8.6	20	6080	15900	6	3500
LMEF60L		60 ^{+0.016} _{-0.004}	90 ⁰ _{-0.016}	211	134	18	112	11	17.5	10.8	25	7650	20000	6	4500

Note 1) Dynamic load rating is based on the nominal life of 50km.
In case of 100km, C on the table need to be divided by 1.26
Ex) LM12's 50km basis dynamic load rating C = 410N
LM12's 100km basis dynamic load rating C₁₀₀ = 410 / 1.26 = 325.40N

Note 2) Based on the weight of resin retainer

Note 3) Dimension : mm

LMEK FLANGED LINEAR BUSHING

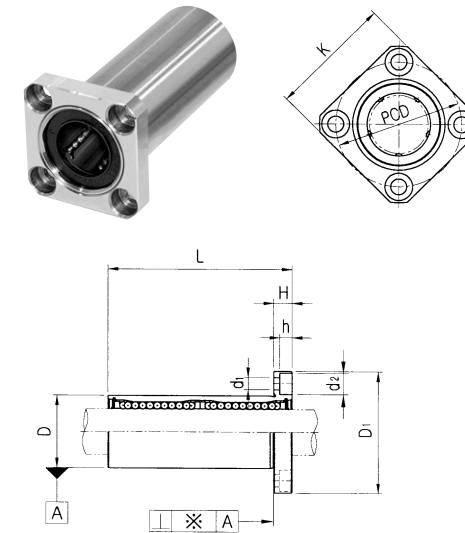


European Standard Samick Square Flanged Linear Bushing		LMEK	20	UU	-	A	N	S
Nominal Shaft Diameter								
Seal		Blank : No Seal U : One Side Seal UU : Both Side Seal						
Retainer		Blank : Resin retainer(Standard) A : Steel retainer(High temperature)						
Outer-sleeves (by corrosion resistance type)		Blank : No-plating(Standard) N : Electroless nickel plating R : Raydent treatment						
Ball type (by corrosion resistance)		Blank : High carbon bearing steel ball (standard) S : Stainless steel ball						

PART NUMBER		DIAMETER		L	D ₁	H	PCD	K	d ₁	d ₂	h	SQUARENESS *(μm)	BASIC LOAD RATING(N)		NO. OF BALL ORUIT	WEIGHT (gf)
Resin	Steel	dr. TOLERANCE	D TOLERANCE										DYNAMIC(C)	STATIC(C ₀)		
LMEK8	LMEK8-A	8	16	25	32	5	24	25	3.4	6.5	3.3	12	260	400	4	44
LMEK12	LMEK12-A	12	22	32	42	6	32	32	4.5	8	4.4	12	410	590	4	86
LMEK16	LMEK16-A	16	26	36	46	6	36	35	4.5	8	4.4	12	770	1170	5	120
LMEK20	LMEK20-A	20	32	45	54	8	43	42	5.5	9.5	5.4	15	860	1370	5	184
LMEK25	LMEK25-A	25	40	58	62	8	51	50	5.5	9.5	5.4	15	980	1560	6	335
LMEK30		30	47	68	76	10	62	60	6.6	11	6.5	15	1560	2740	6	545
LMEK40		40	62	80	98	13	80	75	9	14	8.6	20	2150	4010	6	1185
LMEK50		50	75	100	112	13	94	88	9	14	8.6	20	3820	7930	6	1730
LMEK60		60	90	125	134	18	112	106	11	17.5	10.8	25	4700	9990	6	3180

Note 1) Dynamic load rating is based on the nominal life of 50km.
In case of 100km, C on the table need to be divided by 1.26
Ex) LM12's 50km basis dynamic load rating C = 410N
LM12's 100km basis dynamic load rating C₁₀₀ = 410 / 1.26 = 325.40N
Note 2) Based on the weight of resin retainer
Note 3) Dimension : mm

LMEK_L FLANGED LINEAR BUSHING LONG

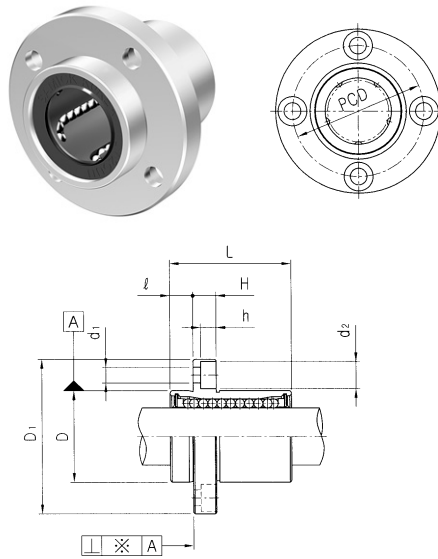


European Standard Samick Square Flanged Linear Bushing		LMEK	20	L	UU	-	A	N	S
Nominal Shaft Diameter									
Linear Bushing Long type(for high load)									
Seal		Blank : No Seal U : One Side Seal UU : Both Side Seal							
Retainer		Blank : Resin retainer(Standard) A : Steel retainer(High temperature)							
Outer-sleeves (by corrosion resistance type)		Blank : No-plating(Standard) N : Electroless nickel plating R : Raydent treatment							
Ball type (by corrosion resistance)		Blank : High carbon bearing steel ball (standard) S : Stainless steel ball							

PART NUMBER		DIAMETER		L	D ₁	H	PCD	K	d ₁	d ₂	h	SQUARENESS *(μm)	BASIC LOAD RATING(N)		NO. OF BALL ORUIT	WEIGHT (gf)
Resin	Steel	dr. TOLERANCE	D TOLERANCE										DYNAMIC(C)	STATIC(C ₀)		
LMEK8L	LMEK8L-A	8	16	45	32	5	24	25	3.4	6.5	3.3	15	430	780	4	53
LMEK12L	LMEK12L-A	12	22	57	42	6	32	32	4.5	8	4.4	15	650	1200	4	100
LMEK16L	LMEK16L-A	16	26	70	46	6	36	35	4.5	8	4.4	15	1230	2350	5	187
LMEK20L	LMEK20L-A	20	32	80	54	8	43	42	5.5	9.5	5.4	17	1400	2750	5	260
LMEK25L	LMEK25L-A	25	40	112	62	8	51	50	5.5	9.5	5.4	17	1560	3140	6	515
LMEK30L		30	47	123	76	10	62	60	6.6	11	6.5	17	2490	5490	6	655
LMEK40L		40	62	154	98	13	80	75	9	14	8.6	20	3430	8040	6	1560
LMEK50L		50	75	192	112	13	94	88	9	14	8.6	20	6080	15900	6	3500
LMEK60L		60	90	211	134	18	112	106	11	17.5	10.8	25	7650	20000	6	4500

Note 1) Dynamic load rating is based on the nominal life of 50km.
In case of 100km, C on the table need to be divided by 1.26
Ex) LM12's 50km basis dynamic load rating C = 410N
LM12's 100km basis dynamic load rating C₁₀₀ = 410 / 1.26 = 325.40N
Note 2) Based on the weight of resin retainer
Note 3) Dimension : mm

LMEFP FLANGED LINEAR BUSHING

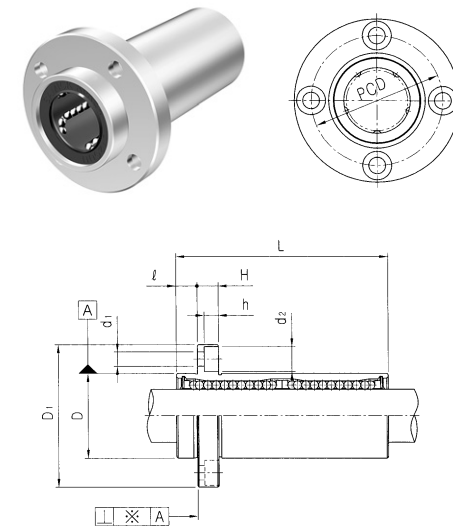


European Standard Samick Circular Flanged Linear Bushing	LMEFP	20	UU	-	A	N	S
Nominal Shaft Diameter							
Seal	Blank : No Seal U : One Side Seal UU : Both Side Seal						
Retainer	Blank : Resin retainer(Standard) A : Steel retainer(High temperature)						
Outer-sleeves (by corrosion resistance type)	Blank : No-plating(Standard) N : Electroless nickel plating R : Raydent treatment						
Ball type (by corrosion resistance)	Blank : High carbon bearing steel ball (standard) S : Stainless steel ball						

PART NUMBER		DIAMETER D		L	D ₁	ℓ	H	PCD	d ₁	d ₂	h	SQUARENESS ※(μm)	BASIC LOAD RATING(N)		NO. OF BALL CIRCUIT	WEIGHT (g)
Resin	Steel	dr. TOLERANCE	mm TOLERANCE										DYNAMIC(C)	STATIC(C ₀)		
LMEFP8	LMEFP8-A	8	16	25	32	5	5	24	3.4	6.5	3.3	12	260	400	4	44
LMEFP12	LMEFP12-A	12	22	32	42	6	6	32	4.5	8	4.4	12	410	590	4	86
LMEFP16	LMEFP16-A	16	26	36	46	6	6	36	4.5	8	4.4	12	770	1170	5	120
LMEFP20	LMEFP20-A	20	32	45	54	8	8	43	5.5	9.5	5.4	15	860	1370	5	184
LMEFP25	LMEFP25-A	25	40	58	62	8	8	51	5.5	9.5	5.4	15	980	1560	6	335
LMEFP30		30	47	68	76	10	10	62	6.6	11	6.5	15	1560	2740	6	545
LMEFP40		40	62	80	98	13	13	80	9	14	8.6	20	2150	4010	6	1185
LMEFP50		50	75	100	112	13	13	94	9	14	8.6	20	3820	7930	6	1730
LMEFP60		60	90	125	134	18	18	112	11	17.5	10.8	25	4700	9990	6	3180

Note 1) Dynamic load rating is based on the nominal life of 50km.
In case of 100km, C on the table need to be divided by 1.26
Ex) LM12's 50km basis dynamic load rating C = 410N
LM12's 100km basis dynamic load rating C₁₀₀ = 410 / 1.26 = 325.40N
Note 2) Based on the weight of resin retainer
Note 3) Dimension : mm

LMEFP_L FLANGED LINEAR BUSHING LONG

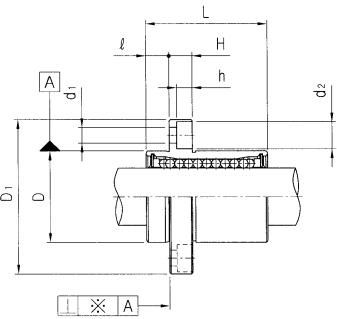
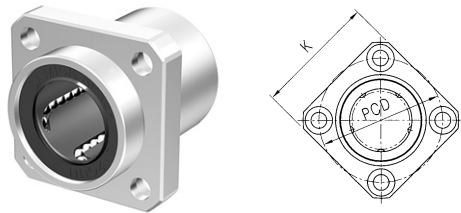


European Standard Samick Circular Flanged Linear Bushing	LMEFP	20	L	UU	-	A	N	S
Nominal Shaft Diameter								
Linear Bushing Long type(for high load)								
Seal	Blank : No Seal U : One Side Seal UU : Both Side Seal							
Retainer	Blank : Resin retainer(Standard) A : Steel retainer(High temperature)							
Outer-sleeves (by corrosion resistance type)	Blank : No-plating(Standard) N : Electroless nickel plating R : Raydent treatment							
Ball type (by corrosion resistance)	Blank : High carbon bearing steel ball (standard) S : Stainless steel ball							

PART NUMBER		DIAMETER D		L	D ₁	ℓ	H	PCD	d ₁	d ₂	h	SQUARENESS ※(μm)	BASIC LOAD RATING(N)		NO. OF BALL CIRCUIT	WEIGHT (g)
Resin	Steel	dr. TOLERANCE	mm TOLERANCE										DYNAMIC(C)	STATIC(C ₀)		
LMEFP8L	LMEFP8L-A	8	16	45	32	5	5	24	3.4	6.5	3.3	15	430	780	4	53
LMEFP12L	LMEFP12L-A	12	22	57	42	6	6	32	4.5	8	4.4	15	650	1200	4	100
LMEFP16L	LMEFP16L-A	16	26	70	46	6	6	36	4.5	8	4.4	15	1230	2350	5	187
LMEFP20L	LMEFP20L-A	20	32	80	54	8	8	43	5.5	9.5	5.4	17	1400	2750	5	260
LMEFP25L	LMEFP25L-A	25	40	112	62	8	8	51	5.5	9.5	5.4	17	1560	3140	6	515
LMEFP30L		30	47	123	76	10	10	62	6.6	11	6.5	17	2490	5490	6	655
LMEFP40L		40	62	154	98	13	13	80	9	14	8.6	20	3430	8040	6	1560
LMEFP50L		50	75	192	112	13	13	94	9	14	8.6	20	6080	15900	6	3500
LMEFP60L		60	90	211	134	18	18	112	11	17.5	10.8	25	7650	20000	6	4500

Note 1) Dynamic load rating is based on the nominal life of 50km.
In case of 100km, C on the table need to be divided by 1.26
Ex) LM12's 50km basis dynamic load rating C = 410N
LM12's 100km basis dynamic load rating C₁₀₀ = 410 / 1.26 = 325.40N
Note 2) Based on the weight of resin retainer
Note 3) Dimension : mm

LMEKP FLANGED LINEAR BUSHING

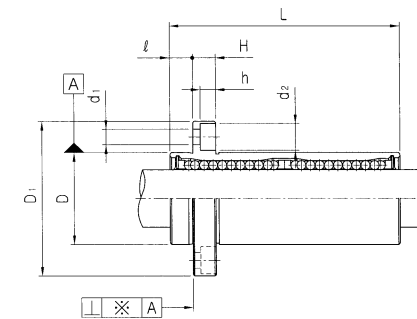
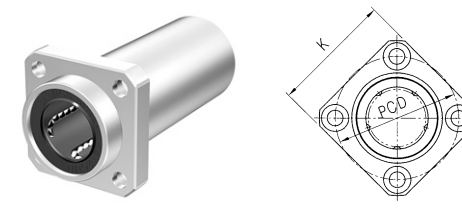


European Standard Samick Square Flanged Linear Bushing	LMEKP	20	UU	-	A	N	S
Nominal Shaft Diameter							
Seal	Blank : No Seal U : One Side Seal UU : Both Side Seal						
Retainer	Blank : Resin retainer(Standard) A : Steel retainer(High temperature)						
Outer-sleeves (by corrosion resistance type)	Blank : No-plating(Standard) N : Electroless nickel plating R : Raydent treatment						
Ball type (by corrosion resistance)	Blank : High carbon bearing steel ball (standard) S : Stainless steel ball						

PART NUMBER		DIAMETER D dr. TOLERANCE	L	D ₁	l	H	PCD	K	d ₁	d ₂	h	SQUARENESS % (μm)	BASIC LOAD RATING(N)		NO. OF BALLS	WEIGHT (g)	
Resin	Steel												DYNAMIC(C)	STATIC(C ₀)			
LMEKP8	LMEKP8-A	8 ^{+0.008} ₀	16 ⁰ _{-0.008}	25	32	5	5	24	25	3.4	6.5	3.3	12	260	400	4	44
LMEKP12	LMEKP12-A	12 ^{+0.009} ₀	22 ⁰ _{-0.009}	32	42	6	6	32	32	4.5	8	4.4	12	410	590	4	86
LMEKP16	LMEKP16-A	16 ^{+0.009} _{-0.001}	26 ^{-0.009} ₀	36	46	6	6	36	35	4.5	8	4.4	12	770	1170	5	120
LMEKP20	LMEKP20-A	20 ^{+0.011} _{-0.001}	32 ⁰ _{-0.011}	45	54	8	8	43	42	5.5	9.5	5.4	15	860	1370	5	184
LMEKP25	LMEKP25-A	25 ^{+0.013} _{-0.001}	40 ⁰ _{-0.013}	58	62	8	8	51	50	5.5	9.5	5.4	15	980	1560	6	335
LMEKP30		30 ^{+0.016} _{-0.002}	47 ⁰ _{-0.016}	68	76	10	10	62	60	6.6	11	6.5	15	1560	2740	6	545
LMEKP40		40 ^{+0.016} _{-0.004}	62 ⁰ _{-0.016}	80	98	13	13	80	75	9	14	8.6	20	2150	4010	6	1185
LMEKP50		50 ^{+0.016} _{-0.004}	75 ⁰ _{-0.016}	100	112	13	13	94	88	9	14	8.6	20	3820	7930	6	1730
LMEKP60		60 ^{+0.016} _{-0.004}	90 ⁰ _{-0.016}	125	134	18	18	112	106	11	17.5	10.8	25	4700	9990	6	3180

Note 1) Dynamic load rating is based on the nominal life of 50km.
 In case of 100km, C on the table need to be divided by 1.26
 Ex) LM12's 50km basis dynamic load rating C = 410N
 LM12's 100km basis dynamic load rating C₁₀₀ = 410 / 1.26 = 325.40N
 Note 2) Based on the weight of resin retainer
 Note 3) Dimension : mm

LMEKP_L FLANGED LINEAR BUSHING LONG

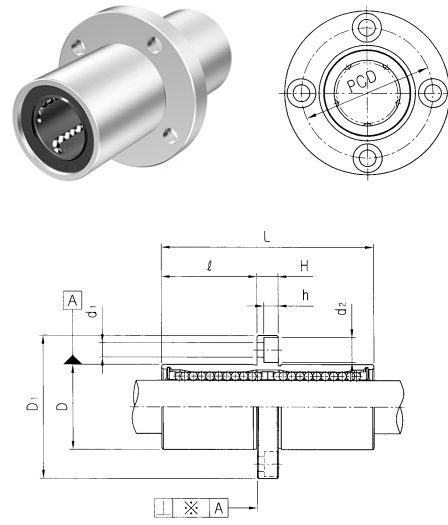


European Standard Samick Square Flanged Linear Bushing	LMEKP	20	L	UU	-	A	N	S
Nominal Shaft Diameter								
Linear Bushing Long type(for high load)								
Seal	Blank : No Seal U : One Side Seal UU : Both Side Seal							
Retainer	Blank : Resin retainer(Standard) A : Steel retainer(High temperature)							
Outer-sleeves (by corrosion resistance type)	Blank : No-plating(Standard) N : Electroless nickel plating R : Raydent treatment							
Ball type (by corrosion resistance)	Blank : High carbon bearing steel ball (standard) S : Stainless steel ball							

PART NUMBER		DIAMETER D dr. TOLERANCE	L	D ₁	l	H	PCD	K	d ₁	d ₂	h	SQUARENESS % (μm)	BASIC LOAD RATING(N)		NO. OF BALLS	WEIGHT (g)	
Resin	Steel												DYNAMIC(C)	STATIC(C ₀)			
LMEKP8L	LMEKP8L-A	8 ^{+0.009} _{-0.001}	16 ⁰ _{-0.009}	45	32	5	5	24	25	3.4	6.5	3.3	15	430	780	4	53
LMEKP12L	LMEKP12L-A	12 ^{+0.011} _{-0.001}	22 ⁰ _{-0.011}	57	42	6	6	32	32	4.5	8	4.4	15	650	1200	4	100
LMEKP16L	LMEKP16L-A	16 ^{+0.013} _{-0.001}	26 ^{-0.013} ₀	70	46	6	6	36	35	4.5	8	4.4	15	1230	2350	5	187
LMEKP20L	LMEKP20L-A	20 ^{+0.016} _{-0.002}	32 ⁰ _{-0.016}	80	54	8	8	43	42	5.5	9.5	5.4	17	1400	2750	5	260
LMEKP25L	LMEKP25L-A	25 ^{+0.016} _{-0.002}	40 ⁰ _{-0.016}	112	62	8	8	51	50	5.5	9.5	5.4	17	1560	3140	6	515
LMEKP30L		30 ^{+0.016} _{-0.004}	47 ⁰ _{-0.016}	123	76	10	10	62	60	6.6	11	6.5	17	2490	5490	6	655
LMEKP40L		40 ^{+0.016} _{-0.004}	62 ⁰ _{-0.016}	154	98	13	13	80	75	9	14	8.6	20	3430	8040	6	1560
LMEKP50L		50 ^{+0.016} _{-0.004}	75 ⁰ _{-0.016}	192	112	13	13	94	88	9	14	8.6	20	6080	15900	6	3500
LMEKP60L		60 ^{+0.016} _{-0.004}	90 ⁰ _{-0.016}	211	134	18	18	112	106	11	17.5	10.8	25	7650	20000	6	4500

Note 1) Dynamic load rating is based on the nominal life of 50km.
 In case of 100km, C on the table need to be divided by 1.26
 Ex) LM12's 50km basis dynamic load rating C = 410N
 LM12's 100km basis dynamic load rating C₁₀₀ = 410 / 1.26 = 325.40N
 Note 2) Based on the weight of resin retainer
 Note 3) Dimension : mm

LMEFM FLANGED LINEAR BUSHING LONG

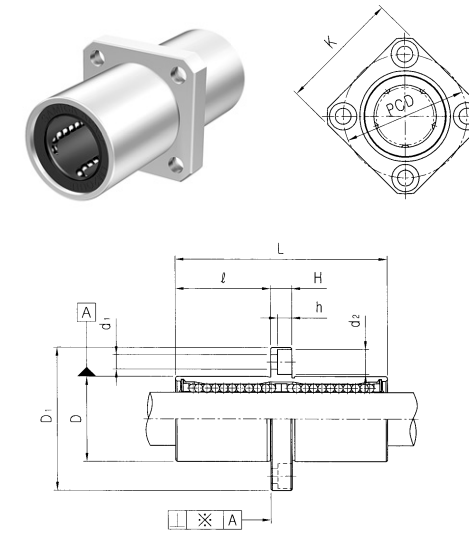


European Standard Samick Circular Mini-Flanged Linear Bushing	LMEFM	20	UU	-	A	N	S
Nominal Shaft Diameter							
Seal							
Blank : No Seal U : One Side Seal UU : Both Side Seal							
Retainer							
Blank : Resin retainer(Standard) A : Steel retainer(High temperature)							
Outer-sleeves (by corrosion resistance type)							
Blank : No-plating(Standard) N : Electroless nickel plating R : Raydent treatment							
Ball type (by corrosion resistance)							
Blank : High carbon bearing steel ball (standard) S : Stainless steel ball							

PART NUMBER	DIAMETER		L	D ₁	ℓ	H	PCD	d ₁	d ₂	h	SQUARENESS ※(μm)	BASIC LOAD RATING(N)		NO. OF BALL	WEIGHT (g)	
	Resin	Steel										dr. TOLERANCE	mm TOLERANCE			DYNAMIC(C)
LMEFM8	LMEFM8-A	8	16	45	32	20	5	24	3.4	6.5	3.3	15	430	780	4	53
LMEFM12	LMEFM12-A	12	22	57	42	25.5	6	32	4.5	8	4.4	15	650	1200	4	100
LMEFM16	LMEFM16-A	16	26	70	46	32	6	36	4.5	8	4.4	15	1230	2350	5	187
LMEFM20	LMEFM20-A	20	32	80	54	36	8	43	5.5	9.5	5.4	17	1400	2750	5	260
LMEFM25	LMEFM25-A	25	40	112	62	52	8	51	5.5	9.5	5.4	17	1560	3140	6	515
LMEFM30		30	47	123	76	56.5	10	62	6.6	11	6.5	17	2400	5490	6	655
LMEFM40		40	62	154	98	70.5	13	80	9	14	8.6	20	3430	8040	6	1560
LMEFM50		50	75	192	112	89.5	13	94	9	14	8.6	20	6080	15900	6	3500
LMEFM60		60	90	211	134	96.5	18	112	11	17.5	10.8	25	7650	20000	6	4500

Note 1) Dynamic load rating is based on the nominal life of 50km.
In case of 100km, C on the table need to be divided by 1.26
Ex) LM12's 50km basis dynamic load rating C = 410N
LM12's 100km basis dynamic load rating C₁₀₀ = 410 / 1.26 = 325.40N
Note 2) Based on the weight of resin retainer
Note 3) Dimension : mm

LMEKM FLANGED LINEAR BUSHING LONG



European Standard Samick Square Mini-Flanged Linear Bushing	LMEKM	20	UU	-	A	N	S
Nominal Shaft Diameter							
Seal							
Blank : No Seal U : One Side Seal UU : Both Side Seal							
Retainer							
Blank : Resin retainer(Standard) A : Steel retainer(High temperature)							
Outer-sleeves (by corrosion resistance type)							
Blank : No-plating(Standard) N : Electroless nickel plating R : Raydent treatment							
Ball type (by corrosion resistance)							
Blank : High carbon bearing steel ball (standard) S : Stainless steel ball							

PART NUMBER	DIAMETER		L	D ₁	ℓ	H	PCD	K	d ₁	d ₂	h	SQUARENESS ※(μm)	BASIC LOAD RATING(N)		NO. OF BALL	WEIGHT (g)	
	Resin	Steel											dr. TOLERANCE	mm TOLERANCE			DYNAMIC(C)
LMEKM8	LMEKM8-A	8	16	45	32	20	5	24	25	3.4	6.5	3.3	15	430	780	4	53
LMEKM12	LMEKM12-A	12	22	57	42	25.5	6	32	32	4.5	8	4.4	15	650	1200	4	100
LMEKM16	LMEKM16-A	16	26	70	46	32	6	36	35	4.5	8	4.4	15	1230	2350	5	187
LMEKM20	LMEKM20-A	20	32	80	54	36	8	43	42	5.5	9.5	5.4	17	1400	2750	5	260
LMEKM25	LMEKM25-A	25	40	112	62	52	8	51	50	5.5	9.5	5.4	17	1560	3140	6	515
LMEKM30		30	47	123	76	56.5	10	62	60	6.6	11	6.5	17	2490	5490	6	655
LMEKM40		40	62	154	98	70.5	13	80	75	9	14	8.6	20	3430	8040	6	1560
LMEKM50		50	75	192	112	89.5	13	94	88	9	14	8.6	20	6080	15900	6	3500
LMEKM60		60	90	211	134	96.5	18	112	106	11	17.5	10.8	25	7650	20000	6	4500

Note 1) Dynamic load rating is based on the nominal life of 50km.
In case of 100km, C on the table need to be divided by 1.26
Ex) LM12's 50km basis dynamic load rating C = 410N
LM12's 100km basis dynamic load rating C₁₀₀ = 410 / 1.26 = 325.40N
Note 2) Based on the weight of resin retainer
Note 3) Dimension : mm