

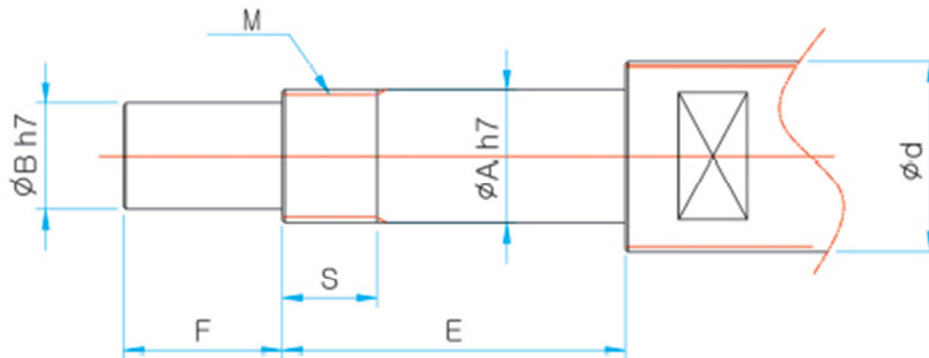


# PNEUMAX CO., LTD.

107/1 ถนนเฉลิมพระเกียรติ ร.9 แขวงปทุมวัน เขตปทุมวัน กทม. 10250

Tel: +66 2726 8000 ต่อ 715 Fax: +66 2726 8266 E-Mail: sales.atm@pneumax.co.th

## Application of Support Unit EK, BK, AK, FK Type



Unit : mm

Model No.			OD of Ball Screw	ID of Bearing	Dimension			Meter Screw	
FK Type	EK Type	AK Type	d	A	B	E	F	M	S
FK4	EK4		6	4	3	23	5	M4X0.5	8
FK5	EK5		8	5	4	25	6	M5X0.5	8
FK6	EK6		8	6	4	30	8	M6X0.75	8
FK8	EK8(AK8)		12	8	6	35(30)	9	M8X1/0.75	10
FK10	EK10		14/15	10	8	36	15	M10X1/0.75	11
FK12	EK12		16/18	12	10	36	15	M12X1	11
FK15	EK15		20/25	15	12	49	20	M15X1	13
FK17	-		25	17	15	53	27	M17X1	14
FK20	EK20		28/30/32	20	17	59	25	M20X1	17
FK25	EK25		36	25	20	76	30	M25X1.5	20
FK30	-		40	30	25	72	38	M30X1.5	25
FK35	-		45	35	30	83	45	M35X1.5	28
FK40	-		50/55	40	35	98	50	M40X1.5	35
BK6	-		8	6	4	30	8	M6X0.75	8
BK8	-		12	8	6	35	9	M8X1/0.75	10
BK10	AK10		14/15	10	8	39	15	M10X1	16
BK12	AK12		16/18	12	10	39	15	M12X1	14
BK15	AK15		20	15	12	40	20	M15X1	12
BK17	-		25	17	15	53	23	M17X1	17
BK20	AK20		28/30/32	20	17	53	25	M20X1	16
BK25	-		36	25	20	65	30	M25X1.5	19
BK30	-		40	30	25	72	38	M30X1.5	25
BK35	-		45	35	30	83	45	M35X1.5	28
BK40	-		50/55	40	35	98	50	M40X1.5	35

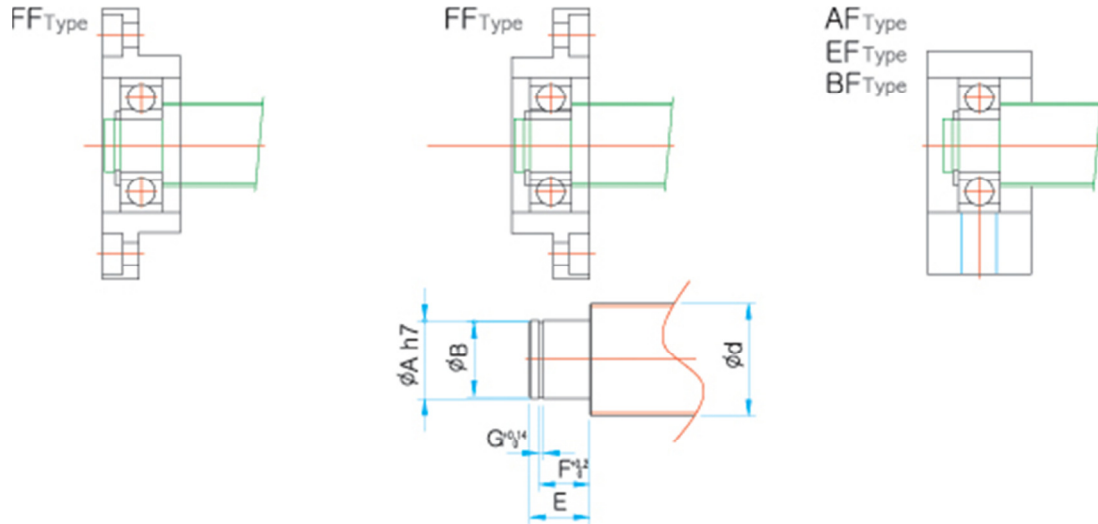


# PNEUMAX CO., LTD.

107/1 ถนนเฉลิมพระเกียรติ ร.9 แขวงปอระเวศ เขตปอระเวศ กทม. 10250

Tel: +66 2726 8000 ต่อ 715 Fax: +66 2726 8266 E-Mail: sales.atm@pneumax.co.th

## Application of Support Unit EF, BF, AF, FF Type



Unit : mm

Model No.				OD of Ball Screw	ID of Bearing		Snap Ring Dimension		
AF Type	FF Type	EF Type	BF Type	d	A	E	B	F	B
-	FF6	EF6	BF6	8	6	9	5.6	6.9	0.9
AF8	FF8	EF8	BF8	12	6	9	5.6	6.9	0.9
AF10	FF10	EF10	BF10	14	8	10	7.6	7.9	0.9
AF10	FF10	EF10	BF10	15	8	10	7.6	7.9	0.9
AF12	FF12	EF12	BF12	16	10	11	9.6	9.15	1.15
AF12	FF12	EF12	BF12	18	10	11	9.6	9.15	1.15
AF15	FF15	EF15	BF15	20	15	13	14.3	10.15	1.15
AF15	FF15	EF15	BF15	25	15	13	14.3	10.15	1.15
-	FF17	-	BF17	25	17	16	16.2	13.15	1.15
AF20	FF20	EF20	BF20	28	20	19(16)	19	15.35(13.35)	1.35
-	FF20	EF20	BF20	30	20	19(16)	19	15.35(13.35)	1.35
-	FF20	EF20	BF20	32	20	19(16)	19	15.35(13.35)	1.35
-	FF25	-	BF25	36	25	20	23.9	16.35	1.35
-	FF30	-	BF30	40	30	21	28.6	17.75	1.75
-	-	-	BF35	45	35	22	33	18.75	1.75
-	-	-	BF40	50	40	23	38	19.95	1.95
-	-	-	BF40	55	40	23	38	19.95	1.95

※( )marks BF 20's dimension