

# NUFORS®-DC

Direct Cylinder operated level sensed condensate drain

## PRODUCT FEATURES

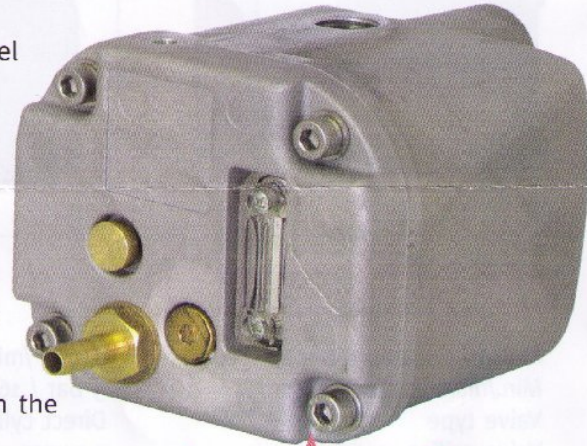
The NUFORS-DC removes condensate from compressed air systems **without using electricity.**

The discharge process is automatic and is based on a newly developed **2/2 way** level controlled valve principle that operates a **direct cylinder** valve.

The NUFORS-DC is ideally suited in applications where power is not available, too expensive or not reliable.

The **integrated stainless steel strainer** protects the valve, optimising the discharge performance.

The condensate level can be viewed through the **sight port** that offers a visual monitoring.



## COMMERCIAL BENEFITS

- Competitive 'true green' solution.
- No operating costs.
- No electricity required – Install and go!
- Condensate viewing sight port.
- Unique direct cylinder valve.
- Operating pressure up to 16 bar.
- Reduced stocking costs - 1 model covers 100 m<sup>3</sup>/min.
- Suitable for any type of compressed air system.
- No complicated sizing charts required.

**New level sensed  
condensate drain  
– No electricity  
required!**

## TECHNICAL ADVANTAGES

- Compact and unique design.
- Successful draining of condensate due to large orifice (also heavily emulsified condensate).
- Incredibly easy and quick to install and to service.
- No control air balance line required.
- Integrated strainer.
- Top- and side inlets available.
- TEST feature.
- Robust aluminium housing.
- Direct cylinder valve for a reliable condensate discharge operation.

### Opportunity:

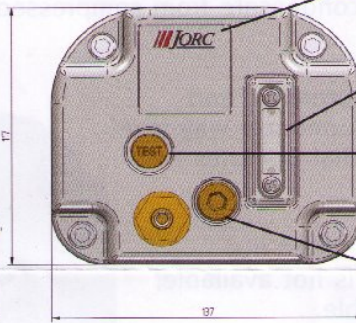
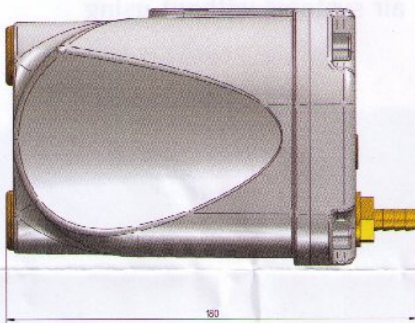
This true green level sensed draining solution does not require electricity and can be applied on all compressed air system components.



# NUFORS®-DC

Direct Cylinder operated level sensed condensate drain

## DIMENSIONS (mm)



Private labelling option

Condensate level sight port

TEST-button function

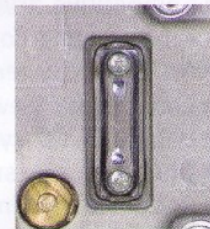
Integrated mesh strainer

## SPECIFICATIONS

Maximum compressor capacity	100 m <sup>3</sup> /min.
Min./max. system pressure	3 bar / 16 bar
Valve type	Direct cylinder
Valve orifice	4.5 mm
Valve seals	FPM
Inlet/outlet connection	1/2" (BSP or NPT)
Inlet height	12 cm (top), 2.0 & 9.5 cm (side)
Minimum medium temperature	1° C
Maximum medium temperature	50° C
Serviceable valve	Yes
TEST feature	Yes
Condensate sight port	Yes
Integrated mesh strainer	Yes



Private labelling option



Condensate level sight port



Multiple (3) inlets options



Integrated mesh strainer



TEST button function

JORC IS ISO 9001:2008 CERTIFIED



Information provided herewith is believed to be accurate and reliable. However, no responsibility is assumed for its use or for any infringement of patents or rights of others, which may result from its use. In addition, JORC reserves the right to revise information without notice and without incurring any obligation.

**JORC Industrial BV**  
 Pretoriastraat 28  
 NL-6413 NN Heerlen  
 The Netherlands

Tel +31 45 524 24 27  
 Fax +31 45 524 19 79  
 E-mail info@jorc.nl  
 http:// www.jorc.eu