

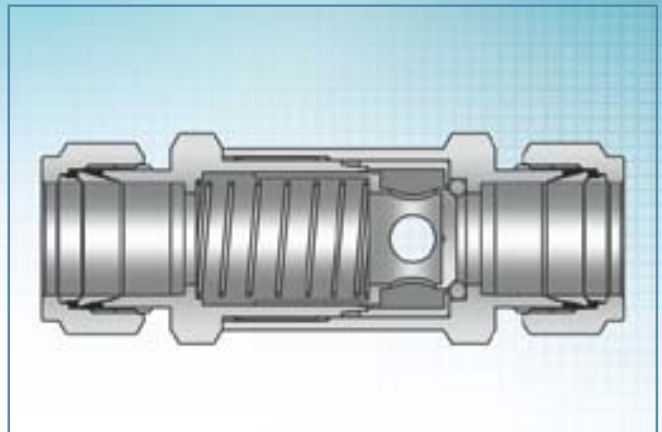
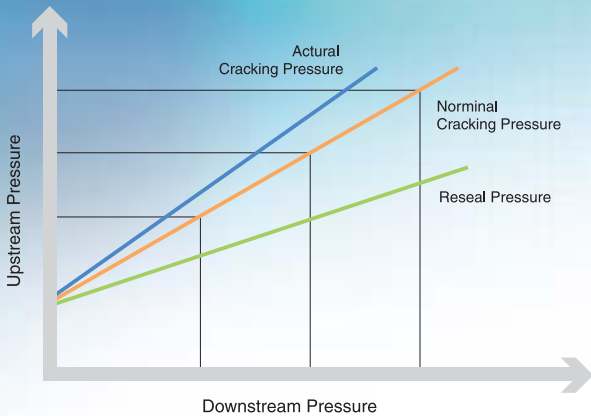
# Check Valve



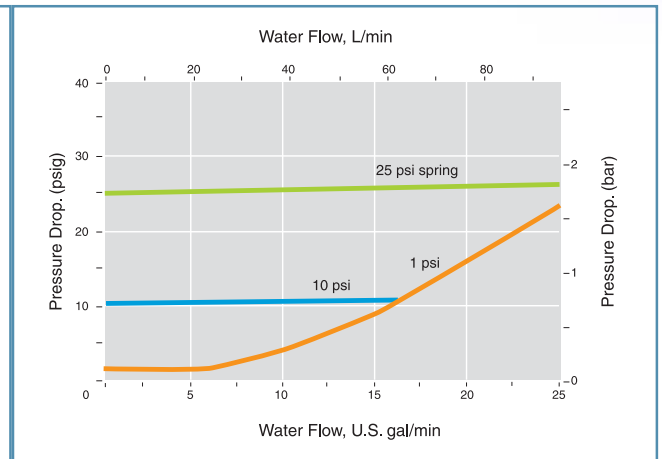
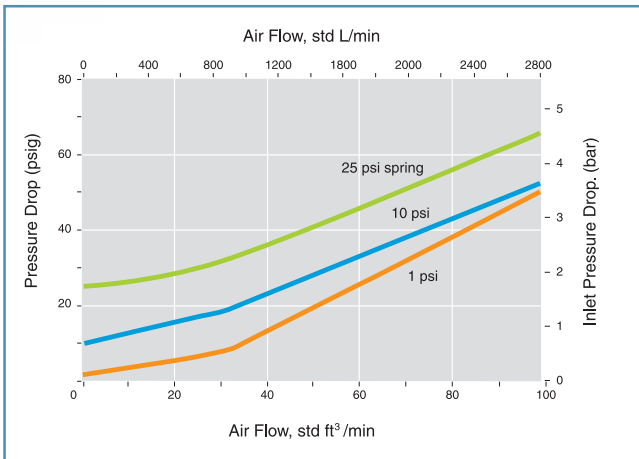
## Check Valve Series



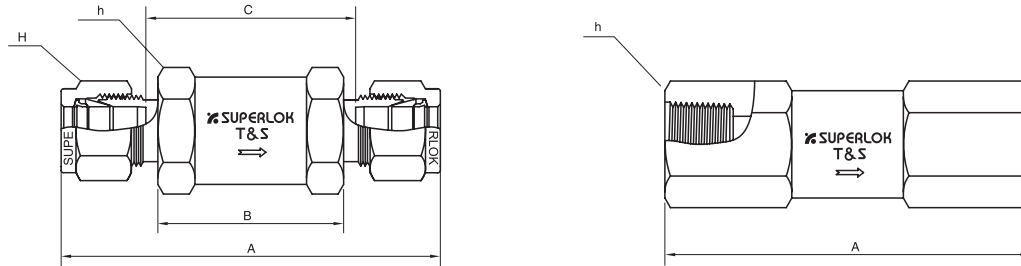
### Cracking & Reseal Pressure



### Flow Characteristics



## Check Valve



### Table of Dimensions

Order Number		End Connection	Dimensions					
Series	Part No.		A	B	C	h	H	
SPCV	S	2	1/8 SUPERLOK	57.15	26.6	31.2	15.88	11.11
	F	2N	1/8 Female NPT	50.00	-	-	15.88	-
	S	4	1/4 SUPERLOK	62.16	26.6	31.4	15.88	14.28
	F	4N	1/4 Female NPT	57.10	-	-	19.05	-
	S	6	3/8 SUPERLOK	76.20	37.6	42.4	22.22	17.46
	F	6N	3/8 Female NPT	73.90	-	-	22.22	-
	S	8	1/2 SUPERLOK	86.58	42.9	40.8	25.40	22.22
	F	8N	1/2 Female NPT	90.60	-	-	27.00	-
	S	10	5/8 SUPERLOK	91.68	48.0	42.8	28.50	25.40
	S	12	3/4 SUPERLOK	99.78	56.1	51.1	31.80	28.57
	F	12N	3/4 Female NPT	99.78	-	-	31.80	-
	S	16	1 SUPERLOK	111.22	58.4	48.9	38.10	38.1
	F	16N	1 Female NPT	114.30	-	-	41.27	-

### Technical Data

End Connection Size	Nominal Cracking Pressure	Maximum Working Pressure (21°C / 70°F)	Maximum Back Pressure (21°C / 70°F)
1/8, 1/4	0.5, 1, 10, 25 PSI	3000 PSI	1000 PSI
3/8, 1/2, 5/8		3000 PSI	200 PSI
3/4, 1		2000 PSI	200 PSI